

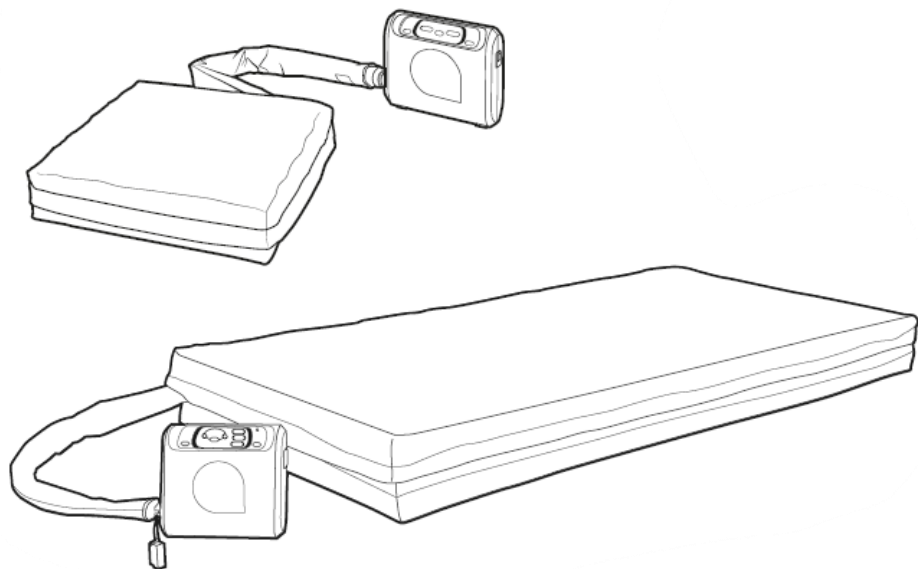
Axtair One® Plus

Axtair Automorpho® Plus

Axtair Axensor® AT12/AT15/AT20

Axtair XXL®

Axtair APC




Technical manual







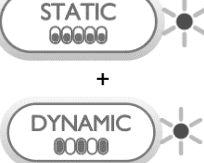
PA0010143
MAJ 27/02/2025

TABLE OF CONTENTS




ALARMS AND REPAIR	- 2 -
FURTHER INFORMATION	- 4 -
Electromagnetic compatibility (EMC)	- 4 -
Heel discharge valve	- 4 -
Mattress – compressor connection	- 5 -
Use in a seated position	- 5 -
AXENSOR cushion (APC)	- 5 -
AXENSOR box	- 5 -
Rolling straps	- 5 -
MAINTENANCE/DISINFECTION	- 1 -
Compressor	- 1 -
Mattress	- 1 -
Specific to APC cushion (VAXT6/CO/AUTO)	- 2 -
Maintenance diagram and recommended disinfection	- 5 -
PREVENTIVE MAINTENANCE	- 6 -
Servicing frequency:	- 6 -
Mattress/ cushion	- 6 -
Compressor	- 6 -
AirCare solution	- 7 -
WEEE (Waste Electric and Electronic Equipment)	- 8 -
Warranty	- 9 -
SPARE PARTS	- 10 -
Axtair One Plus compressor - Reference VAXT/POMPE/ONEP	- 10 -
Axtair Automorpho Plus compressor - Reference VAXT/POMPE/AUTOP	- 12 -
Axtair Automorpho Plus compressor - Reference VAXT/PAUTOP	- 14 -
Axtair One Plus compressor - Reference VAXT/PONEP	- 16 -
Axtair Axensor® compressor - Reference VAXT6/POMPE/AUTO	- 18 -
Axtair Axensor® compressor - Reference VAXT6/POMPE/AUTO-S	- 20 -
Axtair XXL compressor - Reference VAXT/POMPE/ XXL	- 22 -
Axtair One Plus mattress - Reference VAXT/MA/ONE	- 24 -
Axtair One Plus mattress - Reference VAXT/MONEP90/PUL or CIC	- 26 -
Axtair Automorpho Plus mattress - Reference VAXT/MA/AUTOP	- 28 -
Axtair Automorpho Plus mattress – Reference VAXT/MA/AUTOP100	- 30 -
Axtair Automorpho Plus mattress – Reference VAXT/MA/AUTOP120	- 32 -
Axtair Automorpho Plus mattress – Reference VAXT/MAUTOP90/PUH ou /CIC	- 34 -
Axtair Automorpho Plus mattress – Reference VAXT/MAUTOP100/PUH or CIC	- 36 -
Axtair Automorpho Plus mattress – Reference VAXT/MAUTOP120/PUH or CIC	- 38 -
Axtair Axensor® AT12 mattress – Reference VAXT6/MA/AUTO	- 40 -
Axtair Axensor® AT15 mattress – Reference VAXT6/MA/MAX	- 42 -
Axtair Axensor® AT20 mattress – Reference VAXT6/MA/AT20-90	- 44 -
Axtair Axensor® AT20 - Reference VAXT6/MA/AT20-80	- 46 -
Axtair XXL Mattress - Reference VAXT/MA/120XXL	- 48 -
Axtair XXL Mattress - Reference VAXT/MA/140XXL	- 50 -
Axtair APC Cushion - Reference VAXT6/CO/AUTO	- 52 -

ALARMS AND REPAIR**Using the “info” key (Only on the Axtair Axensor pump)**

 A continuous press on this button when the compressor is running provides information about the last alarm recorded and the need for servicing.

Alarm codes: Description		Meaning
	Lock indicator steady	System problem Support
	Lock indicator flashing	Compressor system problem
	Dynamic indicator flashing	No pressure
	Treatment indicator steady	Initial inflation impossible
	Treatment indicator flashing	Inflation impossible
	Static indicator flashing	Over-pressure
	Dynamic and static indicator flashing	Pneumatic problem

The following table shows all the alarms for the device, their triggering conditions, their priority as well as possible repair.

Description	Trigger		Possible repair
	Condition	Time frame	
Alarm indicator flashing and mains indicator off OFF  + sound signal	Electrical fault: the compressor is not powered by the mains	0 min	1 - Re-connect the compressor 2 - Check the status of the electricity network 3 - Replace the fuse
Alarm indicator flashing and mains indicator on ON  + sound signal	Compressor system problem	0 to 1 min	1 - Check that the mattress is properly connected to the compressor 2 - Check that the CPR valve is well sealed 3 - Check the leak-tightness of the mattress
	The compressor measures a nil pressure when pumping	1 min	
	The compressor measures an over-pressure	1 min	
	Inflation impossible	10 min	
	The compressor detects a pneumatic problem	1 min	
Alarm indicator steady  + sound signal	Initial inflation impossible	40 min	1 - Check that the mattress is properly connected to the compressor 2 - Check the status of the AXENSOR® box 3 - Check that the CPR valve is well sealed 4 - Check the leak-tightness of the mattress
	Support system problem	0 min	

For any other repair solution, contact your retailer or if you are trained, use the AirCare solution.

FURTHER INFORMATION

PRECAUTIONS

Do not wrap the hoses around your neck - this could cause strangulation.

Ne pas débrancher le compresseur du secteur en cours d'utilisation.



ELECTROMAGNETIC COMPATIBILITY (EMC)

- AXTAIR medical devices comply with applicable electromagnetic compatibility (EMC) standards.
- The AXTAIR range of products are therapeutic support devices under the IEC 60601-2-52 standard relating to the assessment of protection against mechanical hazards of electro-mechanical (EM) devices and EM systems, in particular against patient entrapment in non-moving parts. The requirements of figures 201.107, 201.108 and table 201.101 involving the AXTAIR type therapeutic mattress are excluded.
- AXTAIR medical devices require special precautions with regard to EMC and must be installed and commissioned in accordance with the EMC information supplied on request by WINNCARE France.
- The use of accessories and cables other than those supplied and specified by WINNCARE France may result in increased emissions from the AXTAIR medical devices or an increased risk of fire.

HEEL DISCHARGE VALVE

The AXTAIR Automorpho Plus, Axensor AT12 and AT15 devices are equipped with 4 independent heel discharges at foot cell level. The AXTAIR Axensor AT20 and XXL are equipped with 5.

Only the AXTAIR One Plus mattress is not equipped with heel discharges.

	<p style="text-align: center;">In position A</p> <p style="text-align: center;">The cell is opened to atmosphere and deflates.</p>
	<p style="text-align: center;">In position B</p> <p style="text-align: center;">The cell re-inflates.</p>

WARNING:

- Only 1 individual deflation valve should be open at a time, to ensure patient comfort and safety.
- Do not leave a heel release in an intermediate position between A and B. A detent in position A or B ensures correct positioning.
- When using an AXTAIR AT15-DV mattress (VAXT6/MA/MAX-DV) we recommend not unloading more than 2 consecutive cells in order to guarantee the safety of the patient

in the prone position. Discharge should be carried out cell by cell, keeping the patient in a physiological position.

MATTRESS – COMPRESSOR CONNECTION

PRECAUTIONS

Connect the mattress to the compressor before switching it on.

USE IN A SEATED POSITION

PRECAUTIONS

Do not use an AXTAIR mattress in dynamic mode for more than 30 minutes if the bed is in an sitting position. Do not use with a bed in an sitting position, with an angle > 40°.

AXENSOR CUSHION (APC)

Installing the cushion:

- Disconnect the electrical cable from the compressor,
- Reconnect the electrical cable to the compressor,
- Connect the cushion to the compressor.

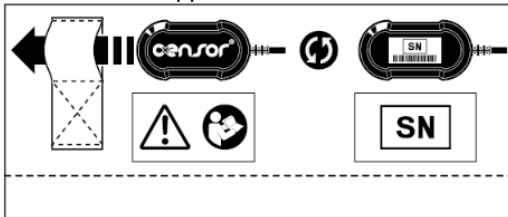
To take into account the parameters of the new cushion, the **compressor must be restarted by disconnecting and reconnecting the electrical cable.**

The cushion can be used in static mode by disconnecting the compressor.

AXENSOR BOX

WARNING

The AXENSOR® box must always be placed in the elastic housing located on the inner side panel of the ad-hoc support:



ROLLING STRAPS



Roll-up straps are not designed to attach the mattress to the base of the care bed.

The roll-up straps are designed to roll up the mattress and transport it more easily by putting it in its carry bag.

MAINTENANCE/DISINFECTION

COMPRESSOR

- **INDICATIONS:** Use a cloth soaked in a detergent product solution or CE* labelled surface detergent/disinfectant at the use concentrations recommended by the manufacturer. Adhere to the remanence times.

- **CONTRAINDICATIONS:** 

It is essential to disconnect the power cord connected to the compressor from the mains power outlet. The "mains" indicator must be off.





- Do not use a high-pressure jet to clean an AXTAIR line compressor.
- Do not spray liquid to avoid any damage to the compressor by penetration of liquid inside the box.

- **PRECAUTIONS:** 

Do not use abrasive cleaning products such as industrial detergents, acetone type solvents, ether and coloring products (iodized alcohol, potassium permanganate, silver nitrate etc.). Do not allow abrasive materials such as steel wool or "scotch brite" pads.

MATTRESS

Depending on the type of mattress, there are several cleaning options available:






	Manual disinfection	Domestic washing barrier	Machine barrier aseptic	REHAWASH process
Type of disinfection	Manual disinfection 	Covers only 	Complete mattress 	Complete mattress 
Mattress One Plus*	✓	✓	✓	✓
Mattress Automorpho Plus*	✓	✓	✓	✓
Mattress Axensor	✓	✓		✓
Mattress XXL	✓	✓		

* marketed from 01/11/2022

All mattresses in the Axtair range are designed with a pneumatic assembly (Cells + Bundle + Maintaining Sheet) that can be easily removed from the base for easy cleaning and machine washing of the textile components.

For AXENSOR® mattresses, the AXENSOR® pneumatic unit and control box must be manually disinfected: use a cloth soaked in a detergent solution or CE* labelled surface detergent/disinfectant at the use concentrations recommended by the manufacturer (Adhere to the remanence times) or follow the washing protocol of the REHAWASH process.

The covers and the bases can be machine washed in the following conditions:

	Machine wash, maximum temperature 90°C, reduced mechanical action, rinsing at decreasing temperature, reduced spinning.
	Maximum allowable chlorine concentration of 5000 ppm.
	Do not iron.
	Do not dry clean.
	Trumble dry on low heat, moderate temperatures (60°C).

Aseptic Barrier Machine Washing: One Plus and Automorpho Plus mattresses marketed since 01/11/2022 are compatible with barrier machine disinfection.

For more information, please refer to the protocol sheet F039, presented in the following pages.

Specific to the AXENSOR mattress:

Precautions: Check that there is no accumulation of water in the access hatch to the heel discharges, which is open during disinfection.

SPECIFIC TO APC CUSHION (VAXT6/CO/AUTO)

When replacing the cell section, make sure that the cell fitted with the non-return valve is located on the front section.

HELP WITH EQUIPMENT
MAINTENANCE

SHEET 039

26/09/2024

AXTAIR MATTRESS ASEPTIC BARRIER MACHINE



PURPOSE

Complete washing of the Axtair One Plus and Automorpho Plus mattresses in an aseptic barrier machine to prevent the transmission of germs from one patient to another by thermal action. Full washing ensures that the mattress is physically and microbiologically clean.

EPI



INDICATIONS

Each time that the product is returned ,
and between each patient.



EQUIPMENT

- ▶ Professional aseptic barrier washing machine with disinfectant detergent,
- ▶ Professional tumble dryer,
- ▶ Washing bag.



PROTOCOL

axtair one[®]
plus

1. Open the cover at the 3 sides and remove the holding sheet - beam - cells assembly using the 2 zips,
2. Remove the foam base,
3. Close the pneumatic connector of the mattress using its transport cap,
4. Roll without tightening the holding sheet with the cells inward. Put this set in the washing net, closing it with the connector,
5. Insert the washing net and cover into the washing machine,
6. After the spin cycle, put the washing net and cover in the dryer,
7. After it is completely dry, assemble the mattress and check that it is working properly by inflating it with a quick inflation pump. Check the correct positioning of the cells,
8. Then pack the mattress into a clean transport bag for storage and delivery.

axtair automorpho[®]
plus

1. Unzip the top cover,
2. Remove the holding sheet - beam - cells using the 2 zips,
3. Open the bottom antislip base and remove the foam base,
4. Close the pneumatic connector of the mattress using its transport cap,
5. Verify that the pressure relief of the heel valves are in the open position (*discharge not activated*),
6. Roll without tightening the holding sheet with the cells inward. Put this set in the washing net, closing it with the connector,
7. Insert the washing net, base and top cover into the washing machine,
8. After the spin cycle, put the washing net, base and cover in the dryer,
9. After it is completely dry, assemble the mattress and check that it is working properly by inflating it with a quick inflation pump. Check the correct positioning of the cells,
10. Pack the mattress into a clean transport bag for storage and delivery.



SETTINGS¹

Barrier washing machine

- ▶ 60°C < washing temperature < 65°C (*provides thermal disinfection¹ without cell degradation or disconnection*),
- ▶ Maximum spin speed² < 750 RPM,
- ▶ Duration: at a temperature of 65°C the washing time must be more than 25 minutes and is calculated using the following formula³:

$$\sum mi (Ti-55) > 250^3$$

With $\sum mi$ = number of minutes during which the temperature in °C is maintained

Ti = washing temperature in °C

The number of mattresses that can be washed at the same time depends on the capacity of the machine. Example: a 22 kg machine allows you to wash 4 mattresses.

Dryer

- ▶ 50°C < drying temperature < 65°C
- ▶ Minimum to get proper drying: 48 minutes at a temperature of 65°C



IMPORTANT

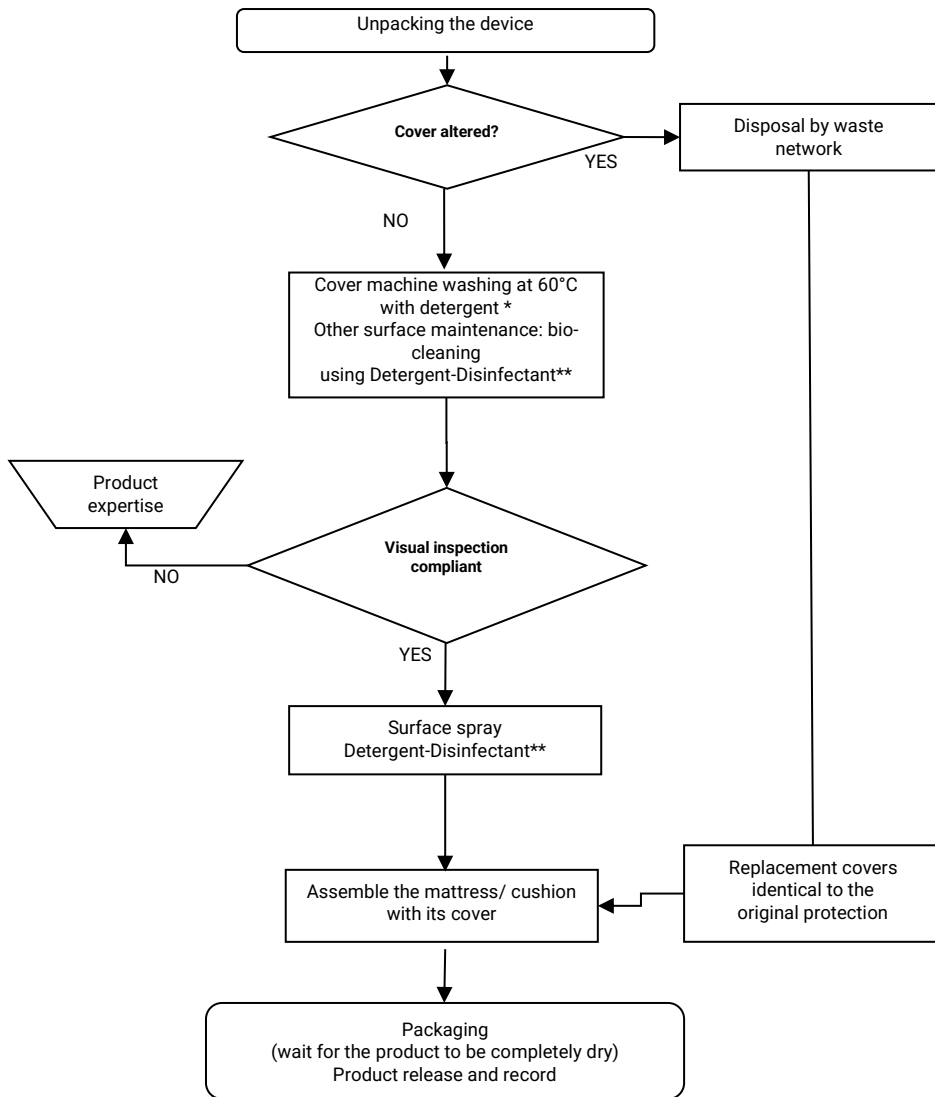
- ▶ A dryer is essential to ensure proper drying of the mattress and good microbiological quality of the device (*all parts of the mattress must be completely dry before repackaging*).
- ▶ The hold sheet - harness - cells set shall remain in the washing net when drying.
- ▶ The machine must be loaded as per the manufacturer's instructions for optimum efficiency of the washing and drying cycles and to avoid degradation.

¹ RABC Protocol according to the standard NFEN 14065 December 2016.

² Maximum spin speed. It may be necessary to reduce it according to the make of machine used. The tests were carried out on FAGOR machines.

³ Recommendation of the Conseil Supérieur d'Hygiène du Service Public Fédéral de la Santé de Belgique [Superior Council of Hygiene of the Federal Public Health Service of Belgium.]

MAINTENANCE DIAGRAM AND RECOMMENDED DISINFECTION



* Neutral detergent (household washing product)

** Wide spectrum cleaning disinfectant product, compliant with standards Bactericide EN1040, EN13727+A2; Fungicide EN1275, EN13624; Sporicide EN14347; Virucide EN 14476+A2.

PREVENTIVE MAINTENANCE

SERVICING FREQUENCY:

It is recommended to service the compressors and mattresses/ cushions at least every 2 years of use for the following product:

- AXTAIR ONE® PLUS
- AXTAIR AUTOMORPHO® PLUS
- AXTAIR AXENSOR®
- AXTAIR XXL®

MATTRESS/ CUSHION

Top cover: visually inspect for damage and stains on the stitch side (white). If damage or stains are found, the cover must be replaced.

AXTAIR mattresses do not contain any wear parts. A simple check of leak-tightness is recommended at the time of servicing.

Steps for checking mattress leak-tightness:

1. Inflate the mattress to a pressure between 85mBar and 100mBar.
2. Wait for the pressure to stabilize for approximately 30 seconds
3. Record the exact pressure of the mattress (P0)
4. Wait 1 minute and record the new pressure (P1)
5. The mattress is deemed to be compliant with the leak-tightness test if the difference between P0 and P1 (P0-P1) is less than or equal to 5 mBar.

In the event of non-conformity, it is necessary to identify the failing components (cells, connection, CPR valve etc.) and to replace them with components provided by the manufacturer. After replacement a further leak-tightness test should be performed.

For AXTAIR mattresses with foam base or stabilizing borders:

- Annually carry out a visual inspection of the stater of the foam: visible subsidence of the material, and a non-equal and very slow return to the foam's original state are signs of ageing which compromise its properties.
- Remember to replace the foam base after cleaning/disinfecting the mattress.

COMPRESSOR

The filter of the compressor must be replaced once per year or more frequently depending on environmental conditions (dust, smoke, etc.).

This filter is on the back of the compressor behind a transparent card which shows its level of fouling. (The original filters are white)

AXTAIR compressors contain wearing parts that need to be replaced and a sensor that needs to be checked for calibration.

Tightening torque / Screws:

When carrying out maintenance on AXTAIR compressors, we recommend a tightening torque of 0.8 Nm on all compressor screws. Using a torque other than that recommended by the manufacturer could, among other things, lead to damage to the shell chimneys.

WINNCARE France recommends the use of a torque screwdriver, type FIRSTINFO H5178, with a range of 0.1 to 1.2 Nm, and high precision for the 0.8 Nm value. This screwdriver is available for purchase from our after-sales service (ref: WS/01/0097).


AIRCARE SOLUTION



The AirCare solution was developed for the preventive and curative maintenance of these systems. Access to the solution requires:

- Following a specific one-day training session. Training module: WS/FORM/05. The detailed program and dates for this training are available on winncare.fr on the training tab. This training is also available as e-learning.
- Downloading specific software running in a Windows environment.
- The purchase of a connection kit containing the control tools.


The AirCare solution authorizes preventive and curative maintenance operations on the compressors and mattresses. The software is used for:

- quick troubleshooting of the checked system,
- the validation of servicing operations with removal of the maintenance key,
- repair validation,
- the traceability of all completed operations.

It is possible to find out if Axtair Axensor compressor servicing is required by a continuous press on the  button when the compressor is running.

Coding for servicing requirement: Description		Meaning
	Hourglass flashing quickly	Servicing date exceeded. Servicing to be scheduled.
	Hourglass steady	No need for servicing.

For AXTAIR ONE® PLUS / AXTAIR AUTOMORPHO® PLUS / AXTAIR XXL® compressors:
The "spanner" icon LED lights on the compressor to indicate that servicing is required.

Servicing required		Meaning
	FIXED LED	Means product servicing is required (17500 hours of operation).

Servicing compressors at least every 2 years of use is recommended.

To facilitate the management and scheduling of this servicing, counters give information about compressor use and the time since last servicing. This information is available using the AirCare maintenance software.

WARNING:


Servicing can only be carried out authorized persons, **contact your dealer or the manufacturer.**

WEEE (WASTE ELECTRIC AND ELECTRONIC EQUIPMENT)

In compliance with applicable regulations covering the elimination of Waste electric and electronic equipment (WEEE), Winncare France is committed to contributing to the processing and recycling of electric and electronic equipment at the end of its service life.

The holder must never dispose of electric and electronic equipment at the end of its service life in the environment or with household waste with other unsorted waste, so that it can be the subject of selective collection in order to be recycled or reused in order to protect the environment, protect natural resources and protect health.

EQUIPMENT CONCERNED

The devices and instruments that feature the symbol  (Waste electric and electronic equipment) meaning that at the end of their service life they must not be mixed with other types of waste, must be the subject of separate processing.

BEFORE 13 AUGUST 2005: FOR ELECTRIC AND ELECTRONIC EQUIPMENT PUT ON THE MARKET

Holders must finance and organize the elimination of electric and electronic equipment at the end of its service life themselves. Unless the equipment is replaced by an equivalent device or a device that has the same function. In that case, Winncare France applies the same waste electric and electronic equipment (WEEE) elimination procedure as for equipment put on the market after 13 August 2005.

AFTER 13 AUGUST 2005: FOR ELECTRIC AND ELECTRONIC EQUIPMENT PUT ON THE MARKET

Winncare France complies with applicable European regulations. Winncare France undertakes to finance and organize the elimination of such waste.

The procedures for the organization and elimination of WEEE are available from:

WINNCARE France

4 LE PAS DU CHÂTEAU

85670 SAINT PAUL MONT PENIT

email: contact@winncare.fr or on our website: www.winncare.com

If the holder does not apply this procedure, they must recycle electric and electronic equipment at the end of its service life using an adapted method and at their own expense. They must communicate the necessary information to Winncare France.

If the products are re-sold, the holder must make sure the new owner is perfectly informed of their duties in terms of recycling electric and electronic equipment at the end of its service life.

WARRANTY

The compressor and its supports are guaranteed for 2 years against any manufacturing defect from the date of purchase and under the recommended conditions of use detailed in the instruction for use. This guarantee does not replace the legal guarantees.

In order to benefit from this guarantee, it is essential to keep the purchase invoice for the product.

In the event of a manufacturing defect, and if the product is still under warranty, please contact your service provider by presenting the product in question. He will take the necessary steps with our company to have the product repaired.

 WARNING

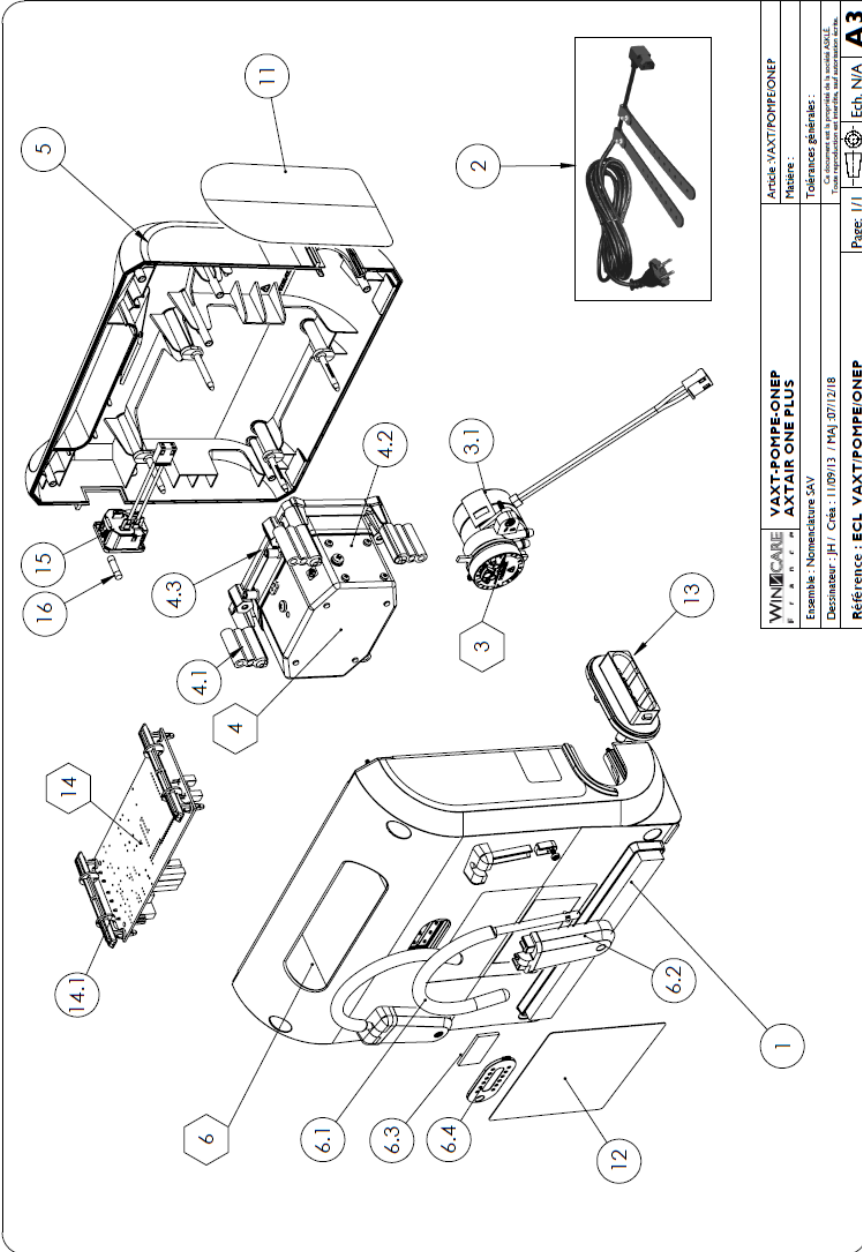
A warranty seal is placed under the simplified manual stuck to the side of the compressor. The presence of this seal ensures that the compressor has passed all the control tests and is tamper-proof.

If this label is removed by the user or an unauthorised third party, the integrity of the compressor is no longer proven; WINNCARE France may refuse to accept responsibility for the repair under warranty, and reserves the right to terminate the warranty.

SPARE PARTS

A list of spare parts is available from WINNCARE France after-sales service:
 Mail: sav@winncare.fr

AXTAIR ONE PLUS COMPRESSOR - REFERENCE VAXT/POMPE/ONEP



WINNCARE F r a n c e	VAXT-POMPE-ONEP AXTAIR ONE PLUS	Article: VAXT/POMPE/ONEP
Ensemble: Nomenclature SAV		Titulaire:
Dessinateur: JH / Créa: 11/09/13 / MAJ: 07/12/18		Tolérances générales:
Référence: ECL_VAXT/POMPE/ONEP		Si un caractère est en gras, il s'agit d'un caractère obligatoire. Tous les caractères sont en minuscule, sauf mention contraire.
Page: 1/1		Ech: N/A A3

List of references: VAXT/POMPE/ONEP

Rep.	Before		After **	
	References	References	References	Designation
1	PB2050521			Self-adhesive isophonic foam
2	PB2050163			Power cord & clips
3	WS/01/0073*			Air distributor assembly
3.1	PB2050118*			Motor 0.83RPM CW+ connections
4	WS/01/0074*			Pump assembly
4.1	PB2050127*			Silentbloc
4.2	PB2050135*			Air pump
4.3	PB2050126*			Pump support
5	WS/01/0083*	WS/01/0084*		Front shell assembly
6	WS/01/0076*	WS/01/0087*		Rear shell assembly
6.1	PB2050171			Fixing hook
6.2	PB2050140	PB2050343		Fixing bracket hook
6.3	PB2050136			air filter
6.4	PB2050139			Filter cover
11	references depend on the language of your country***			
12	PB2050146	PB2050530		Rear Sticker
13	PB2050210*			Female Connector
14	WS/01/0081*			Electronic PCB+ support x 2
14.1	PB2050138*			PCB support
15	PB2050153*			230 volt female connector
16	PB2050154*			Ceramic Fuse 5x20
//	PB2050337*			Single-dose grease
//	VAXT/KITREV01*			Overhaul kit (all components required for the standard AirCare overhaul)

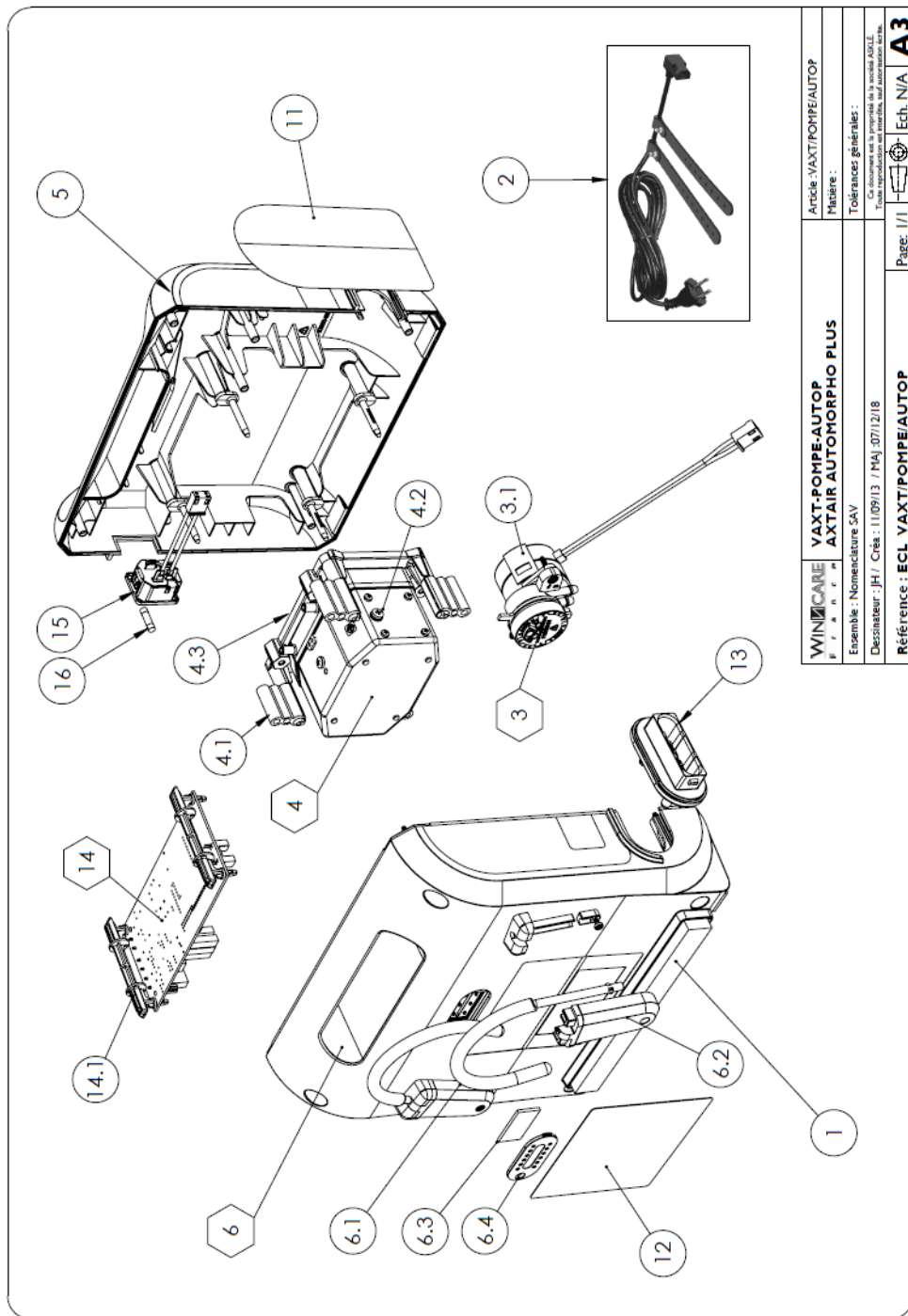
* The use of these references requires the completion of AirCare training.

** Compatible references if the serial number is **higher** than

- 18458140 (VAXT/POMPE/AUTOP)

- 18457072 (VAXT/POMPE/ONEP)

- 18455241 (VAXT6/POMPE/AUTO)



WINCARE	VAXT-POMPE-AUTOP Axtair AUTOMORPHO PLUS	Article : VAXT/POMPE/AUTOP
Ensemble : Nomenclature SAV		Matière :
Destinataire : JH / Ciba : 11.09/13 / MAJ : 07/12/18		Tolérances générales :
Dispositif : JH / Ciba : 11.09/13 / MAJ : 07/12/18		Ca document est le propriété de la société AXAIR. Tous droits réservés. Toute réimpression, sans autorisation écrite.
Référence : ECL_VAXT/POMPE/AUTOP		Ech. N/A A3
		Page: 1/1

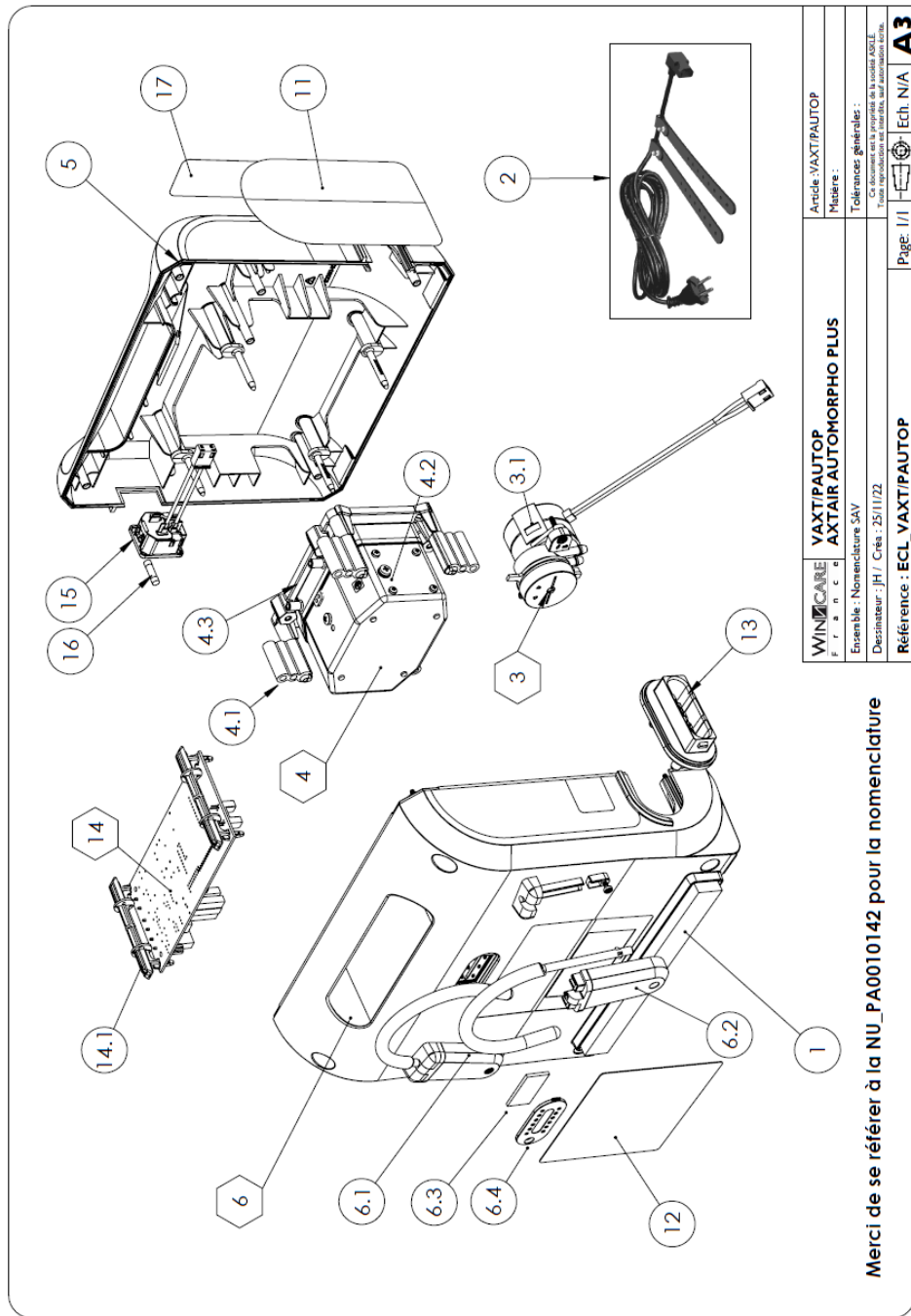
Rep.	Before		After **		Designation
	References		References		
1	PB2050521				Self-adhesive isophonic foam
2	PB2050163				Power cord & clips
3	WS/01/0073*				Air distributor assembly
3.1	PB2050118*				Motor 0.83RPM CW+ connections
4	WS/01/0074*				Pump assembly
4.1	PB2050127*				Silentbloc
4.2	PB2050135*				Air pump
4.3	PB2050126*				Pump support
5	WS/01/0077*		WS/01/0085*		Front shell assembly
6	WS/01/0076*		WS/01/0087*		Rear shell assembly
6.1	PB2050171				Fixing hook
6.2	PB2050140		PB2050343		Fixing bracket hook
6.3	PB2050136				air filter
6.4	PB2050139				Filter cover
11	references depend on the language of your country				Axtair side sticker
12	PB2050146		PB2050530		Rear Sticker
13	PB2050210*				Female Connector
14	WS/01/0081*				Electronic PCB+ support x 2
14.1	PB2050138*				PCB support
15	PB2050153*				230 volt female connector
16	PB2050154				Ceramic Fuse 5x20
//	PB2050337*				Single-dose grease
//	VAXT/KITREV01*				Overhaul kit (all components required for the standard AirCare overhaul)

* The use of these references requires the completion of AirCare training.

** Compatible references if the serial number is **higher** than :

- 18458140 (VAXT/POMPE/AUTOP)

- 18457072 (VAXT/POMPE/ONEP)



WINNCARE F r a n c e	VAXT/PAUTOP AXTAIR AUTOMORPHO PLUS	Article : VAXT/PAUTOP
Espace : Nomenclature SAV		Matière :
Descripteur : JH / Cds : 25/11/22		Tolérances générales :
Référence : ECL_VAXT/PAUTOP		Etch. N/A
		Page: 1/1

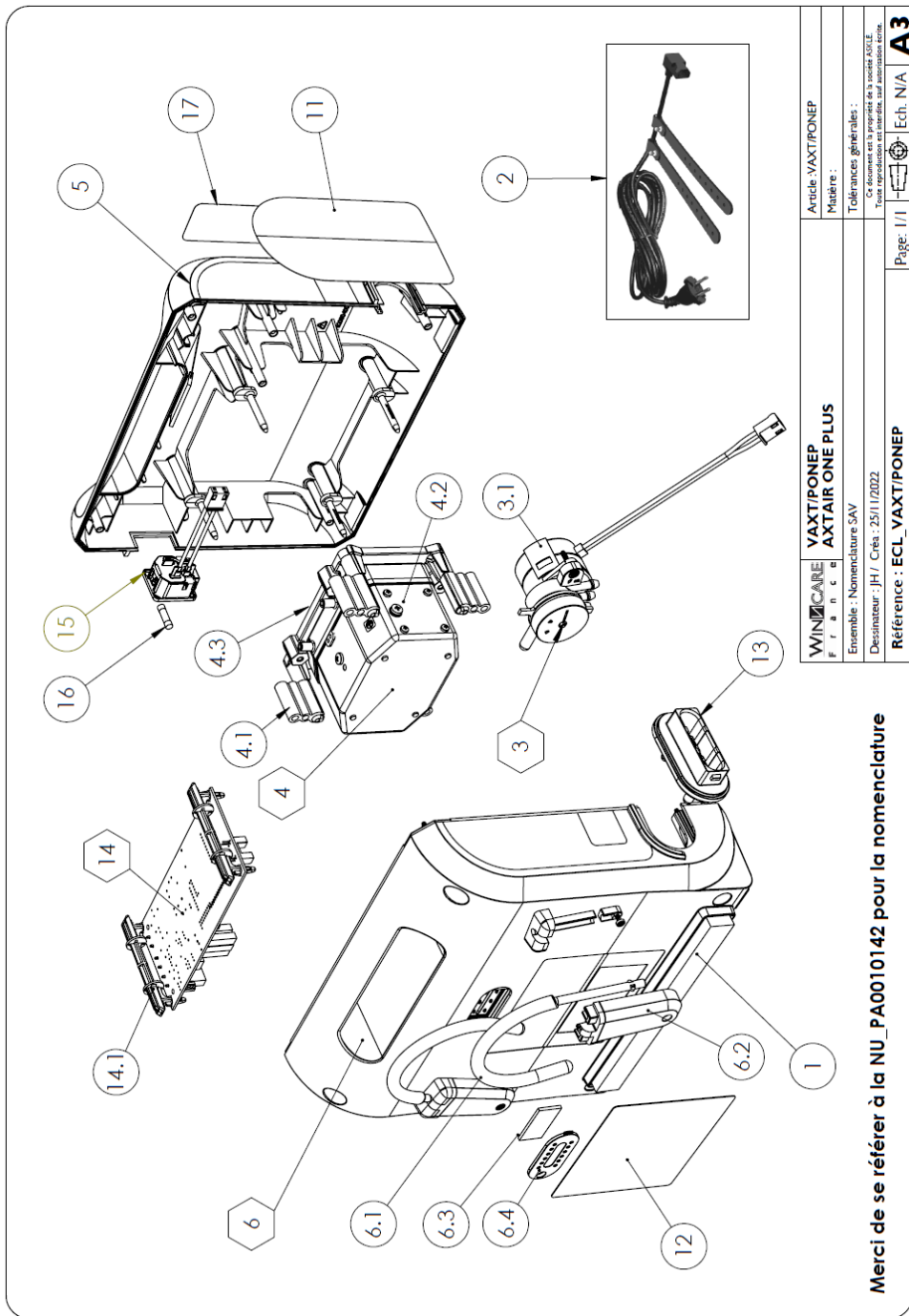
Merci de se référer à la NU_PA0010142 pour la nomenclature

List of references: VAXT/PAUTOP

Rep.	References	Designation
1	PB2050521	Self-adhesive isophonic foam
2	PB2050163	Power cord & clips
3	WS0100073*	Air distributor assembly
3.1	PB2050118*	Motor 0.83RPM C/w+ connections
4	WS0100074*	Pump assembly
4.1	PB2050127*	Silentbloc
4.2	PB2050135*	Air pump
4.3	PB2050126*	Pump support
5	WS0100085*	Front shell assembly
6	WS0100087*	Rear shell assembly
6.1	PB2050171	Fixing hook
6.2	PB2050343	Fixing bracket hook
6.3	PB2050136	air filter
6.4	PB2050139	Filter cover
11	references depend on the	Ax/air side sticker
12	PB2050530	Rear Sticker
13	PB2050532*	Female Connector
14	WS0100081*	Electronic PCB+ support x 2
14.1	PB2050138*	PCB support
15	PB2050153*	230 volt female connector
16	PB2050154	Ceramic Fuse 5x20
17	PB2050553	QR CODE Sticker
//	PB2050337*	Single-dose grease
//	VAXTKITREV01*	Overhaul kit (all components required for the standard AirCare overhaul)

* The use of these references requires the completion of AirCare training.

•••
 PB2050566 = GB PB2050575 = IT PB2050584 = PT
 PB2050569 = DE PB2050578 = NL PB2050587 = DK
 PB2050572 = ES PB2050581 = PL PB2050590 = SK



WINNOCARE F r a n c e	VAXT/PONEP AXTAIR ONE PLUS	Article : VAXT/PONEP
Ensemble : Nomenclature SAV		Matériau :
Destinateur : JH / Créa : 25/11/2022		Tolérances générales :
Référence : ECL_VAXT/PONEP		Tous les composants sont fournis par association agréée.
Page : 1/1		Ech. : N/A A3

Merci de se référer à la NU_PA0010142 pour la nomenclature

List of references: VAXT/PONEP

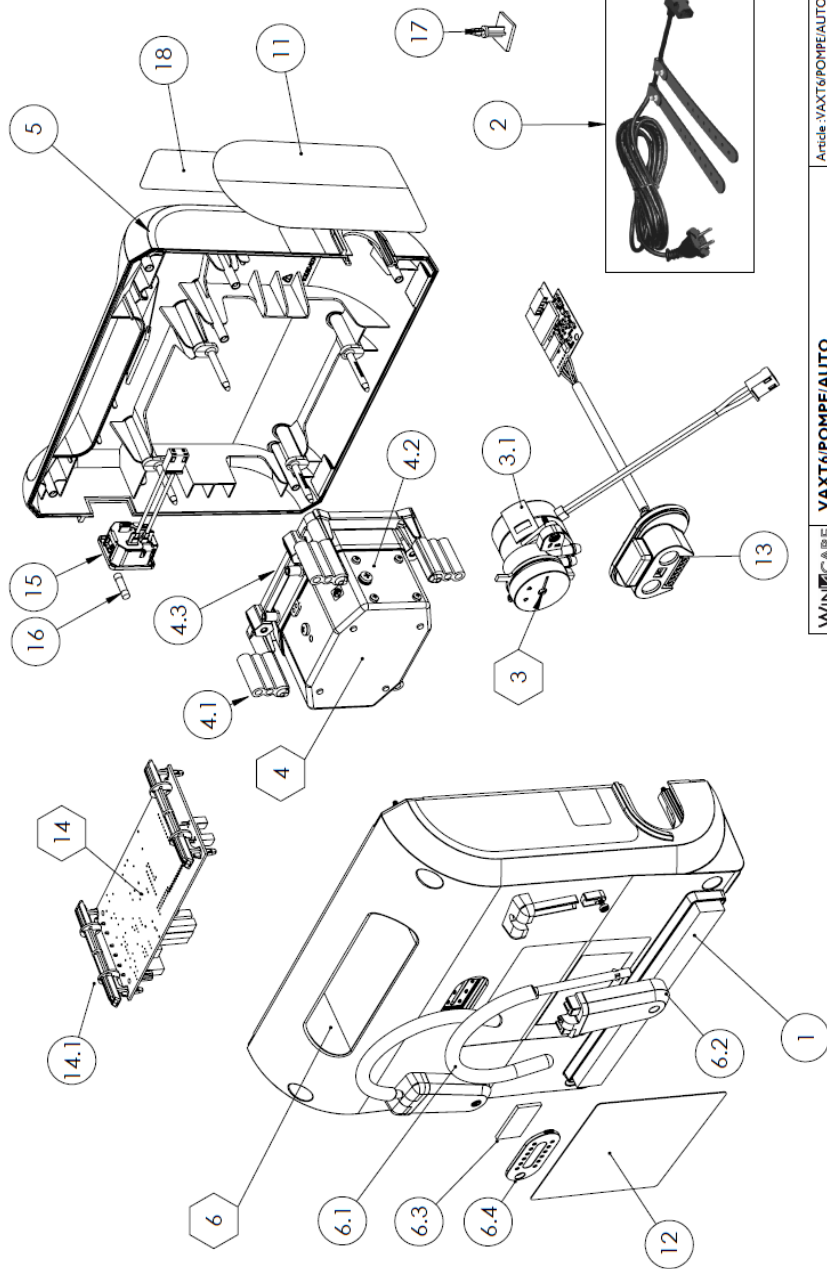
Rep.	References	Designation
1	PB2050521	Self-adhesive isophonic foam
2	PB2050163	Power cord & clips
3	WS/01/0073*	Air distributor assembly
3.1	PB2050118*	Motor 0.83RPM CW+ connections
4	WS/01/0074*	Pump assembly
4.1	PB2050127*	Silentbloc
4.2	PB2050135*	Air pump
4.3	PB2050126*	Pump support
5	WS/01/0084*	Front shell assembly
6	WS/01/0087*	Rear shell assembly
6.1	PB2050171	Fixing hook
6.2	PB2050343	Fixing bracket hook
6.3	PB2050136	air filter
6.4	PB2050139	Filter cover
11	references depend on the language of your country***	Side Sticker Axtair
12	PB20503530	Rear Sticker
13	PB2050532*	Female Connector
14	WS/01/0081*	Electronic PCB+ support x 2
14.1	PB2050138*	PCB support
15	PB2050153*	230 volt female connector
16	PB2050154*	Ceramic Fuse 5x20
16	PB2050553	Sticker QR CODE
//	PB2050337*	Single-dose grease
//	VAXT/KITREV01*	Overhaul kit (all components required for the standard AirCare overhaul)

* The use of these references requires the completion of AirCare training.

*** PB2050566 = GB PB2050575 = IT PB2050584 = PT

PB2050569 = DE PB2050578 = NL PB2050587 = DK

PB2050572 = ES PB2050581 = PL PB2050590 = SK



Merci de se référer à la NU_PA0010142 pour la nomenclature

WINNCARE France	VAXT6/POMPE/AUTO AXTAIR AUTOMORPHO AXENSOR	Article: VAXT6/POMPE/AUTO
Ensemble - Nomenclature SAV		Matière :
Dessinateur: JH / Cds : 11/09/13 / MAJ: 28/11/22		Tolérances générales :
Référence : ECL_VAXT6/POMPE/AUTO		Tous les repérages en caractères gras sont assimilés à 0.05.
		Page: 1/1
		Ech: N/A
		A3

List of references: VAXT6/POMPE/AUTO

Rep.	Before References	After ** References	Designation
1	PB2050521		Self-adhesive isophonic foam
2	PB2050163		Power cord & clips
3	WS/01/0073*		Air distributor assembly
3.1	PB2050118*		Motor 0.83RPM CW+ connections
4	WS/01/0074*		Pump assembly
4.1	PB2050127*		Silentbloc
4.2	PB2050135*		Air pump
4.3	PB2050126*		Pump support
5	WS/01/0075*	WS/01/0086**	Front shell assembly
6	WS/01/0076*	WS/01/0087**	Rear shell assembly
6.1	PB2050171		Fixing hook
6.2	PB2050140*	PB2050343**	Fixing bracket hook
6.3	PB2050136		air filter
6.4	PB2050139		Filter cover
11			references depend on the language of your country***
12	PB2050146*	PB2050530**	Rear sticker
13	WS/01/0080*	WS/01/0080**	Female air/data connector + Axensor Bluetooth card
14	WS/01/0081*		Electronic PCB+ support x 2
14.1	PB2050138*		PCB support
15	PB2050153*		230 volt female connector
16	PB2050154		Ceramic Fuse 5x20
17	PB2050178*		Bluetooth PCB support
18	PB2050553		QR CODE Sticker
//	PB2050337*		Single-dose grease
//	VAXT/KITREV01*		Overhaul kit (all components required for the standard AirCare overhaul)

* The use of these references requires the completion of AirCare training.

** Compatible references if the serial number is **higher** than :

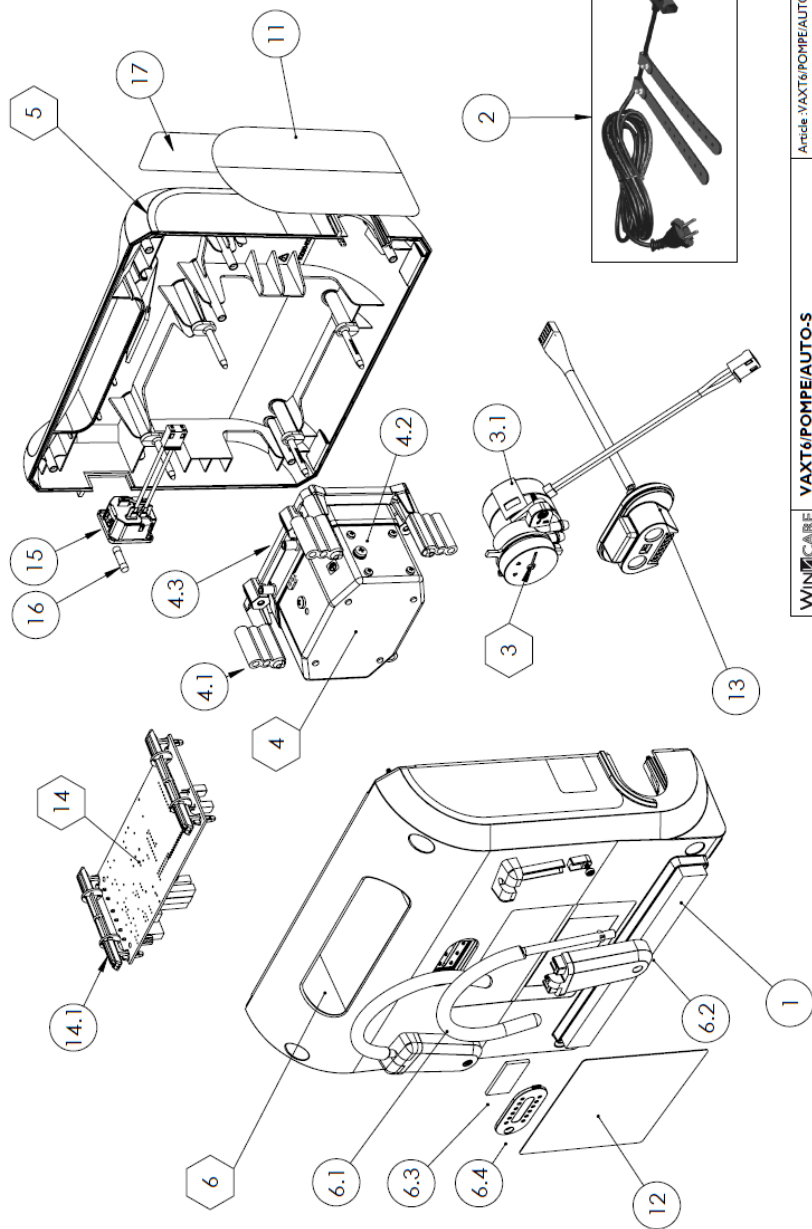
- 18458140 (VAXT/POMPE/AUTOP)

- 18457072 (VAXT/POMPE/ONEP)

*** PB2050567 = GB PB2050576 = IT PB2050585 = PT

PB2050570 = DE PB2050579 = NL PB2050588 = DK

PB2050573 = ES PB2050582 = PL PB2050591 = SK



WINNOCARE
F r a n c e

VAXT6/POMPE/AUTO-S
AXTAIR AUTOMORPHO AXENSOR

Article : VAXT6/POMPE/AUTO-S

Matériau :

Tolérances générales :

Ce document est la propriété de la société WINNOCARE.

Tous droits réservés. Toute réimpression est interdite, sauf autorisation écrite.

Destinateur : JH / Cnès : 12/10/21 - MAJ : 25/11/22

Ensemble : Non standard SAV

Page: 1/1

Référence : ECL_VAXT6/POMPE/AUTO

Ech. N/A

A3

Merci de se référer à la NU_PA0010142 pour la nomenclature

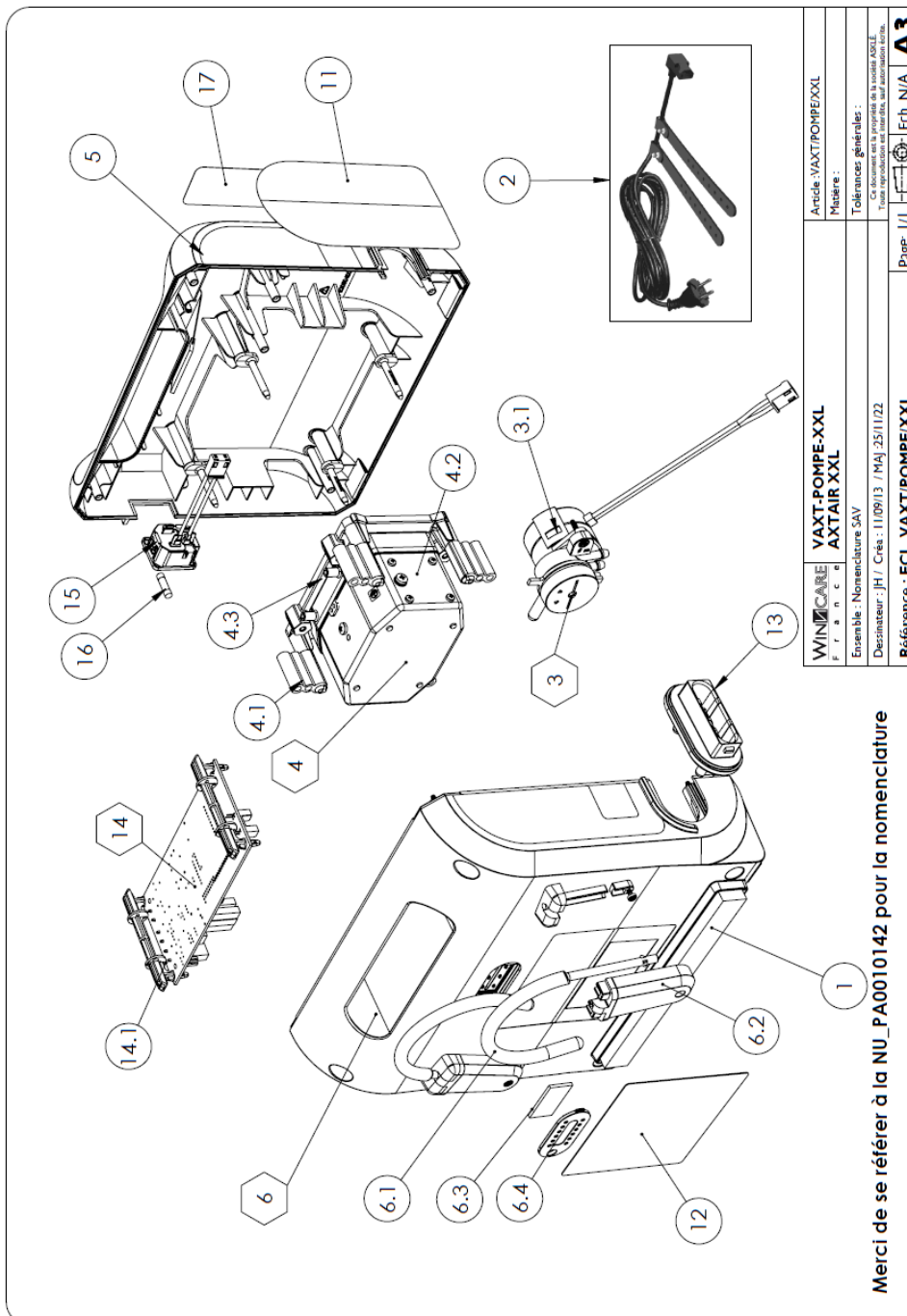
Rep.	References	Designation
1	PB2050521	Self-adhesive isophonic foam
2	PB2050163	Power cord & clips
3	WS/01/0073*	Air distributor assembly
3.1	PB2050118*	Motor 0.83RPM CW+ connections
4	WS/01/0074*	Pump assembly
4.1	PB2050127*	Silentbloc
4.2	PB2050135*	Air pump
4.3	PB2050126*	Pump support
5	WS/01/0092*	Front shell assembly
6	WS/01/0087*	Rear shell assembly
6.1	PB2050171	Fixing hook
6.2	PB2050343	Fixing bracket hook
6.3	PB2050136	air filter
6.4	PB2050139	Filter cover
11	references depend on the language of your country***	Axtair side sticker
12	PB2050530	Rear sticker
13	WS/01/0093*	Female air/data connector + wiring
14	WS/01/0081*	Electronic PCB+ support x 2
14.1	PB2050138*	PCB support
15	PB2050153*	230 volt female connector
16	PB2050154	Ceramic Fuse 5x20
17	PB2050553	QR CODE Sticker
//	PB2050337*	Single-dose grease
//	VAXT/KITREV01*	Overhaul kit (all components required for the standard AirCare overhaul)

* The use of these references requires the completion of AirCare training.

*** PB2050567= GB PB2050576 = IT PB2050585 = PT

PB2050570 = DE PB2050579 = NL PB2050588 = DK

PB2050573 = ES PB2050582 = PL PB2050591 = SK



WINNCARE F r a n c e	VAXT-POMPE-XXL A X T A I R X X L	Article: VAXT/POMPE/XXL
Ensemble: Non-enclosure SAV		Matière :
Descripteur: JH / Crea : I10913 / MAJ : 25/11/22		Tolérances générales :
Référence : ECL_VAXT/POMPE/XXL Ce document est la propriété de la société AXILE Toute réimpression est interdite, sauf autorisation écrite.		Page: 1/1
		Ech: N/A

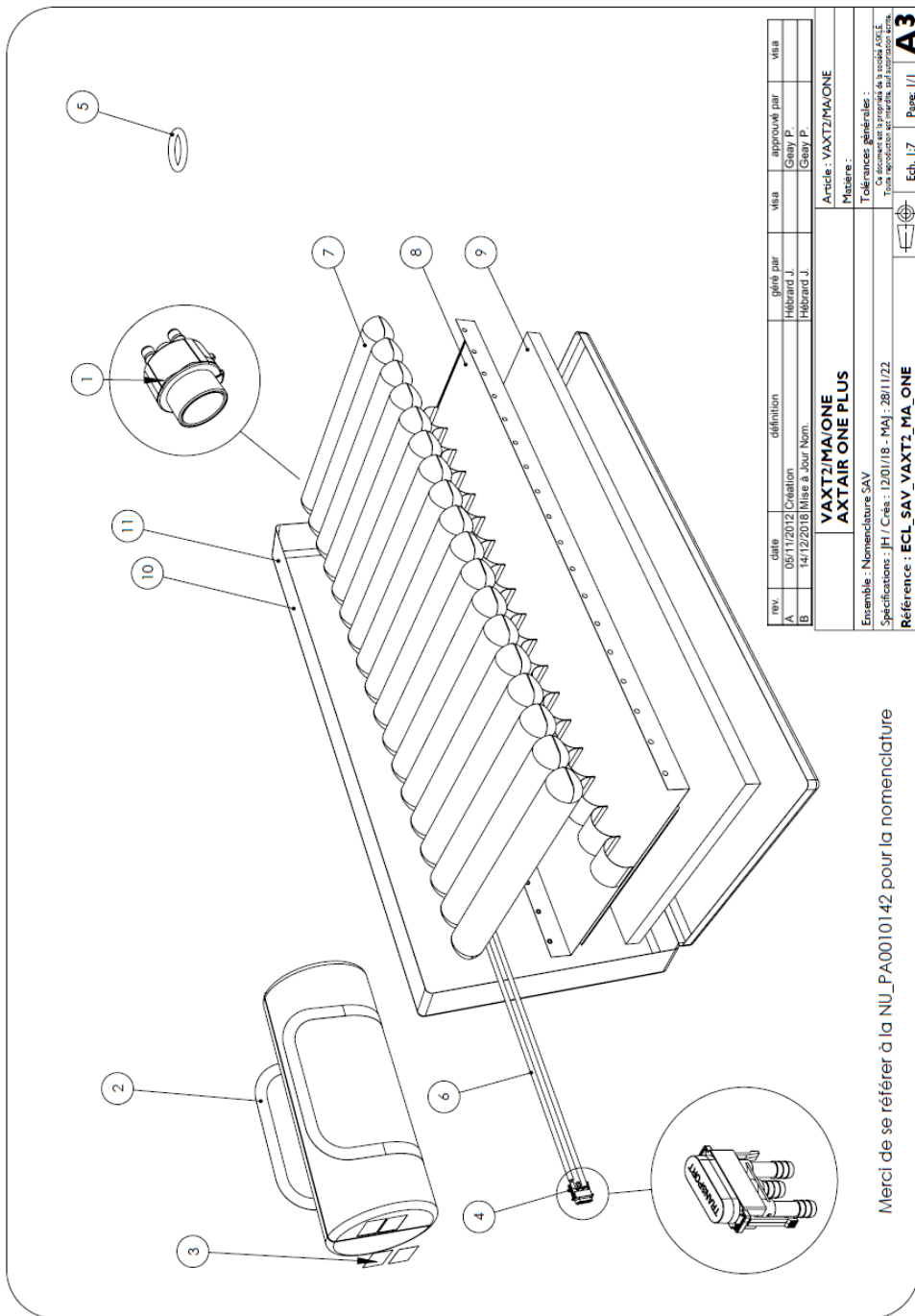
Merci de se référer à la NU_PA0010142 pour la nomenclature

List of references: VAXT/POMPE/ XXL

Rep.	References	Designation
1	PB2050521	Self-adhesive isophonic foam
2	PB2050163	Power cord & clips
3	WS/01/0073*	Air distributor assembly
3.1	PB2050118*	Motor 0.83RPM CW+ connections
4	WS/01/0074*	Pump assembly
4.1	PB2050127*	Silentbloc
4.2	PB2050135*	Air pump
4.3	PB2050126*	Pump support
5	WS/01/0088*	Front shell assembly
6	WS/01/0087*	Rear shell assembly
6.1	PB2050171	Fixing hook
6.2	PB2050343	Fixing bracket hook
6.3	PB2050136	Air filter
6.4	PB2050139	Filter cover
11	references depend on the language of your country***	Side sticker Axtair
12	PB2050530	Rear sticker
13	PB2050210*	Female Connector
14	WS/01/0081*	Electronic PCB+ support x 2
14.1	PB2050138*	PCB support
15	PB2050153*	230 volt female connector
16	PB2050154*	Ceramic Fuse 5x20
17	PB2050553	QR CODE Sticker
//	PB2050337*	Single-dose grease
//	VAXT/KITREV01*	Overhaul kit (all components required for the standard AirCare overhaul)

* the use of these references requires the AirCare training

*** PB2050568 = GB PB2050577 = IT PB2050586 = PT
 PB2050571 = DE PB2050580 = NL PB2050589 = DK
 PB2050574 = ES PB2050583 = PL PB2050592 = SK



rev.	date	description	dessiné par	visé	approuvé par	visa
A	05/12/2012	Création	Hébrard J		Geay P.	
B	14/12/2018	Mise à jour Norm.	Hébrard J		Geay P.	

VAXT2/MA/ONE		Article : VAXT2/MA/ONE
AXTAIR ONE PLUS		Matière :

Ensemble : Nomenclature SAV

Spécifications : FH / Cires : 1200/18 - MAJ : 28/11/22

Préférence : ECL_SAV_VAXT2_MA_ONE

Tolérances générales :

Ce document est la propriété de la société AXILE.

Tous droits réservés. Toute réimpression est interdite.

Ech. 1/1

Page: 1/1

Ech. 1/7

Page: 1/1

Ech. 1/7

Page: 1/1

Ech. 1/7

Page: 1/1

Ech. 1/7

Page: 1/1

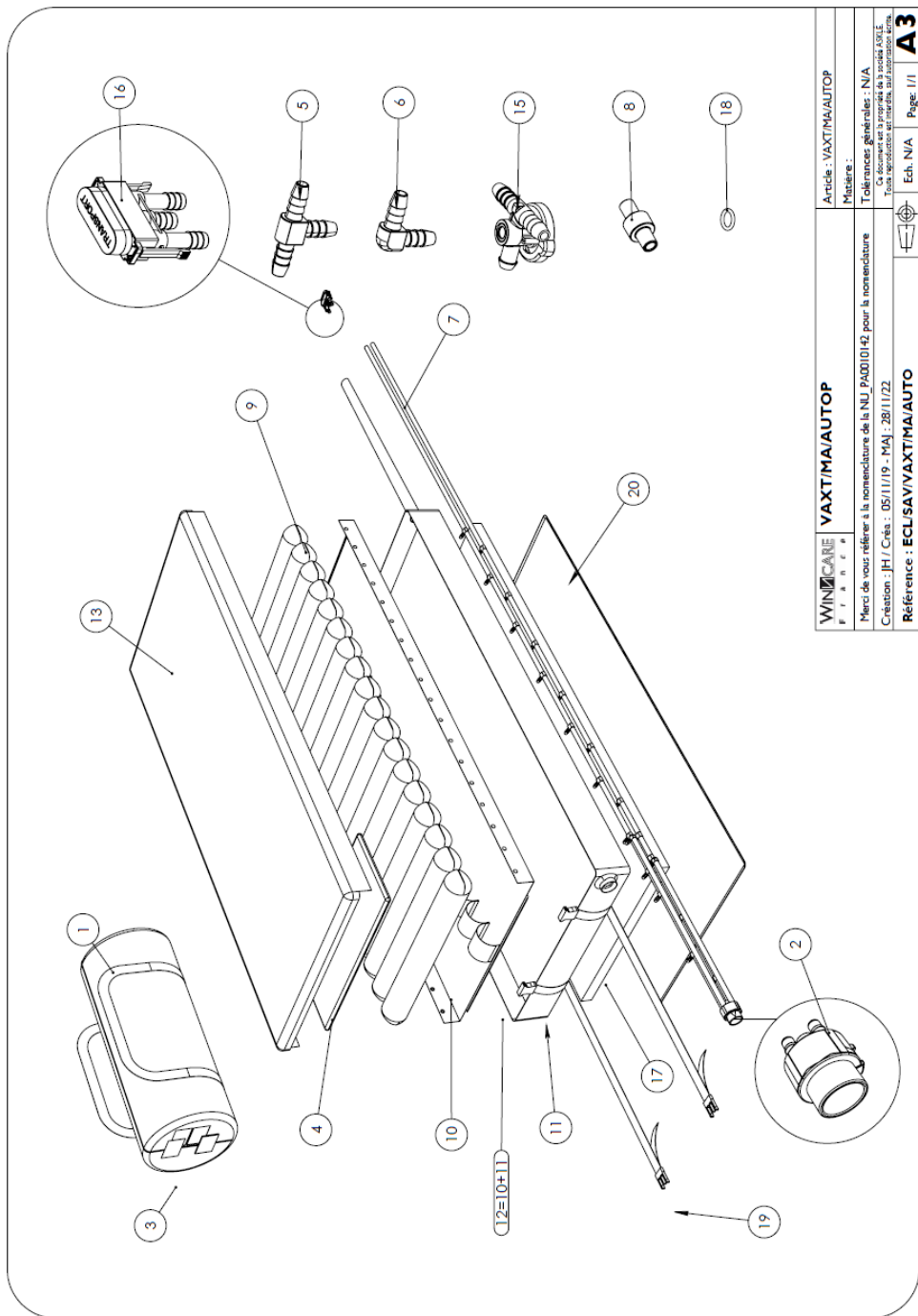
Merci de se référer à la NU_PA0010142 pour la nomenclature

List of references: VAXT/MA/ONE

Rep.	References	Designation
1	WS/02/0052	2 position rotary CPR valve
2	VAXT/SB	Transport bag
3	PB2050593	Dirty/clean label
4	PB2050213	Complete male pneumatic connector
5	PB0050026	O-ring for male connector
6	PB2040069	Grey pipe
7	PB2040116	Automorpha & One 2 PU cell - 87 cm
8	PB2040124	Axtair holding sheet - 87 cm : AT12/V4/ONE2/ONE PLUS
9	VAXT/MS	Single mattress AXTAIR
10	VHCIC/AXT2/ONE	Complete Cover CIC
11	VHIP/AXT2/ONE	Complete Cover PU

List of references: VAXT/MONEP90/PUL OR CIC

Rep.	References	Designation
1	VAXT/SB	Transport bag
2	PB2050593	Dirty/clean label
3	PB2050539	Complete male pneumatic connector
4	PB0050026	O-ring for male connector
5	PB2040069	Grey pipe
6	PB2040116	Automorpha & One 2 PU cell - 87 cm
7	PB2040124	Axtair holding sheet - 87 cm : ATI2/V4/ONE2/ONE PLUS
8	PB2050536	T Connector
9	PB2050537	L Connector
10	VHCIC/AXT/ONEP	Complete Cover CIC
11	VHIP/AXT/ONEP	Complete Cover PU
12	VAXT/MS	Single mattress AXTAIR

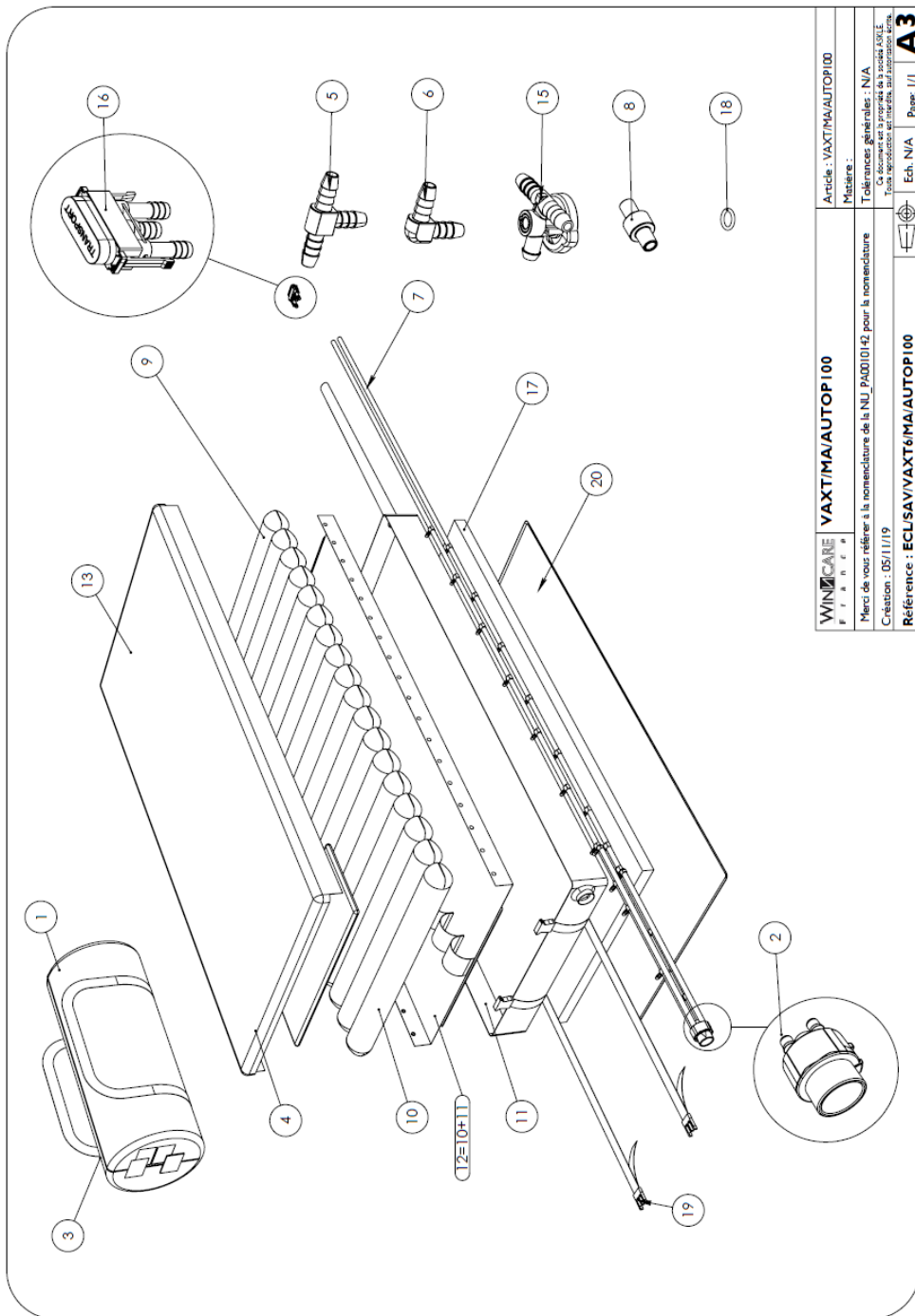


WINNOCARE F I R M A	VAXT/MA/AUTOP	Article : VAXT/MA/AUTOP
Merci de vous référer à la nomenclature de la NU P40010142 pour la nomenclature		Matériau : N/A
Télégrammes généraux : N/A		Télégrammes particuliers : N/A
Création : JH / Créa : DS/11/19 - MAJ : 28/11/22		Tous droits réservés à la société WINNOCARE
Tous droits réservés à la société WINNOCARE		Tous droits réservés à la société WINNOCARE
Référence : ECLSA/VAXT/MA/AUTO		Ech. N/A Page 1/1

Rep.	References	Designation
1	VAXT/SB	Transport bag
2	WS/02/0052	2 position rotary CPR valve
3	PB2050593	Dirty/clean label
4	PB2050497	Foam head cushion
5	PB2050536	T Connector
6	PB2050537	L Connector
7	PB2040069	Grey pipe
8	PB2050285	Non-return valve + silencer
9	PB2040116	Automorpha & One 2 PU cell - 87 cm
10	PB2040124	Axtair holding sheet - 87 cm : AT12/V4/ONE2/ONE PLUS
11	PB2050167	MA AUTO PVC base - 87 cm
12	PB2050219	MA AUTO PVC base - 87 cm+ Holding sheet
13	VHC/C/AXT90-H**	Top cover Axtair CIC
14	VHPH/AXT90-H**	Top cover Axtair PUHD
15	PB2050531	Heel discharge valve
16	PB2050213	Complete male pneumatic connector complete
17	VAXT/MS	Single mattress AXTAIR
18	PB0050026	O-ring for male connector
19	PB2050093	Built-in buckle 38 mm
20	VHAG/AXT-B	Axtair Antislip bottom cover

*the use of these references requires the AirCare training

** CIC cover allows the use of the original pillow. Not the case for the PUHD version



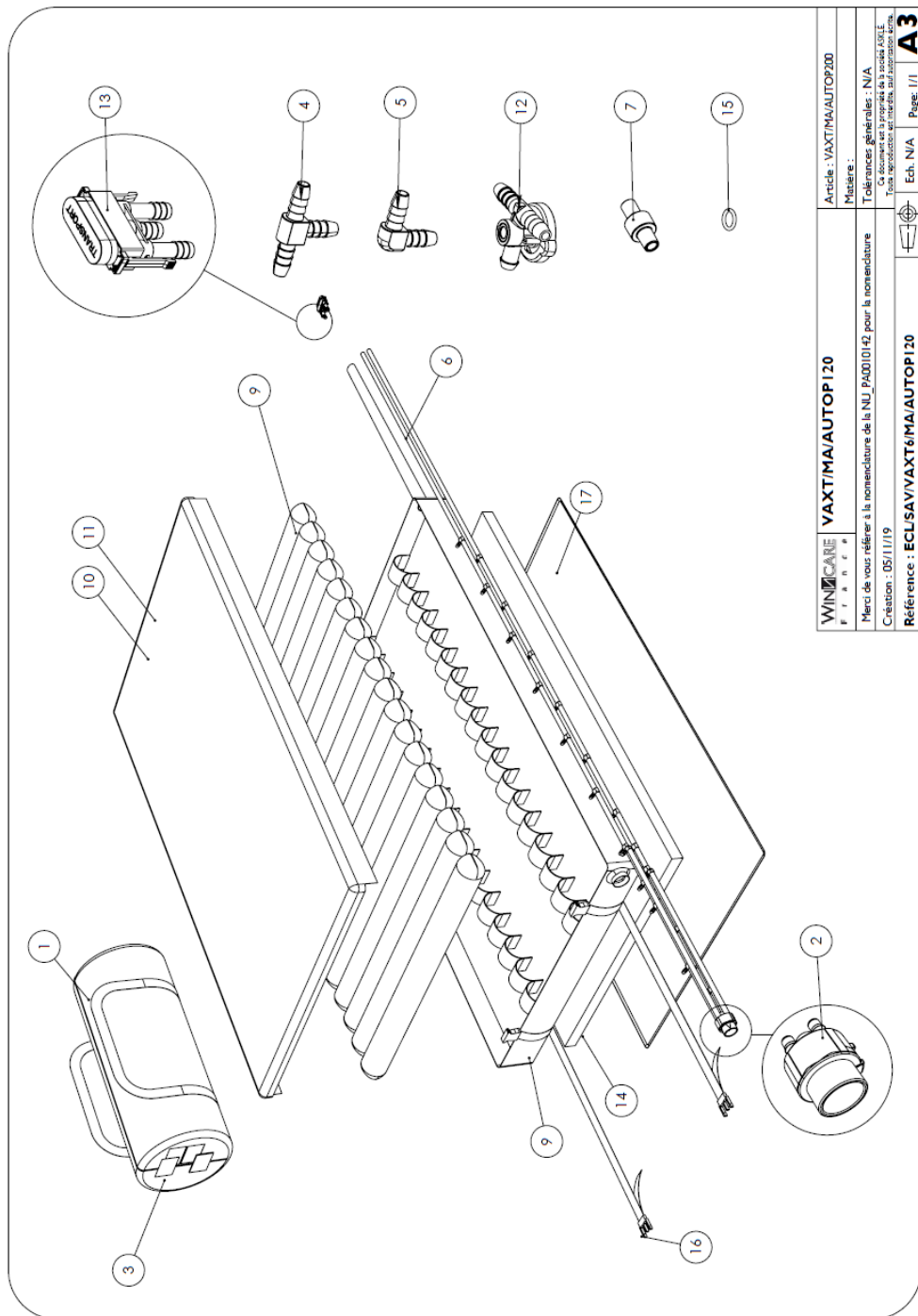
WINNOCARE	VAXT/MA/AUTOP100	Article : VAXT/MA/AUTOP100
Pr e s e n t e		Matiere :
		Tolérances générales : N/A
		Création : 05/11/19
		Mezcla de referenciar a la nomenclatura de la NU_PA0010142 para la nomenclatura de la sociedad AXI, S.L.
		Tous droits réservés. Toute réimpression est interdite. Toute association est interdite.
		Ech. N/A
		Page: 1/1

List of references: VAXT/MA/AUTOP100

Rep.	References	Designation
1	VAXT/SB-XL	Transport Bag Axtair XL
2	WS/02/0052	2 position rotary CPR valve
3	PB2050593	Dirty/clean label
4	PB2050497	Foam head cushion
5	PB2050536	T connector
6	PB2050537	L connector
7	PB2040069	Grey pipe
8	PB2050285	Non-return valve + silencer
9	PB2040131	PU cell 1 end cap L97 H12
10	PB2050287	Axtair holding sheet Auto 100
11	PB2050286	MA AUTO PVC base Auto 100
12	PB2050288	MA AUTO PVC base Auto 100 + holding sheet
13	VHCIC/AXT100-H**	Top cover Axtair 100 CIC
14	VHPH/AXT100-H**	Top cover Axtair 100 PUHD
15	PB2050531	Heel discharge valve
16	PB2050213	Complete male pneumatic connector complete
17	VAXT/MS/100	Single mattress AXTAIR AUTO 100
18	PB0050026	O-ring for male connector
19	PB2050093	Built-in buckle 38 mm
20	VHAG/AXT/100-B	Axtair Antislip bottom cover AUTO 100

*the use of these references requires the AirCare training

** CIC cover allows the use of the original pillow. Not the case for the PUHD version

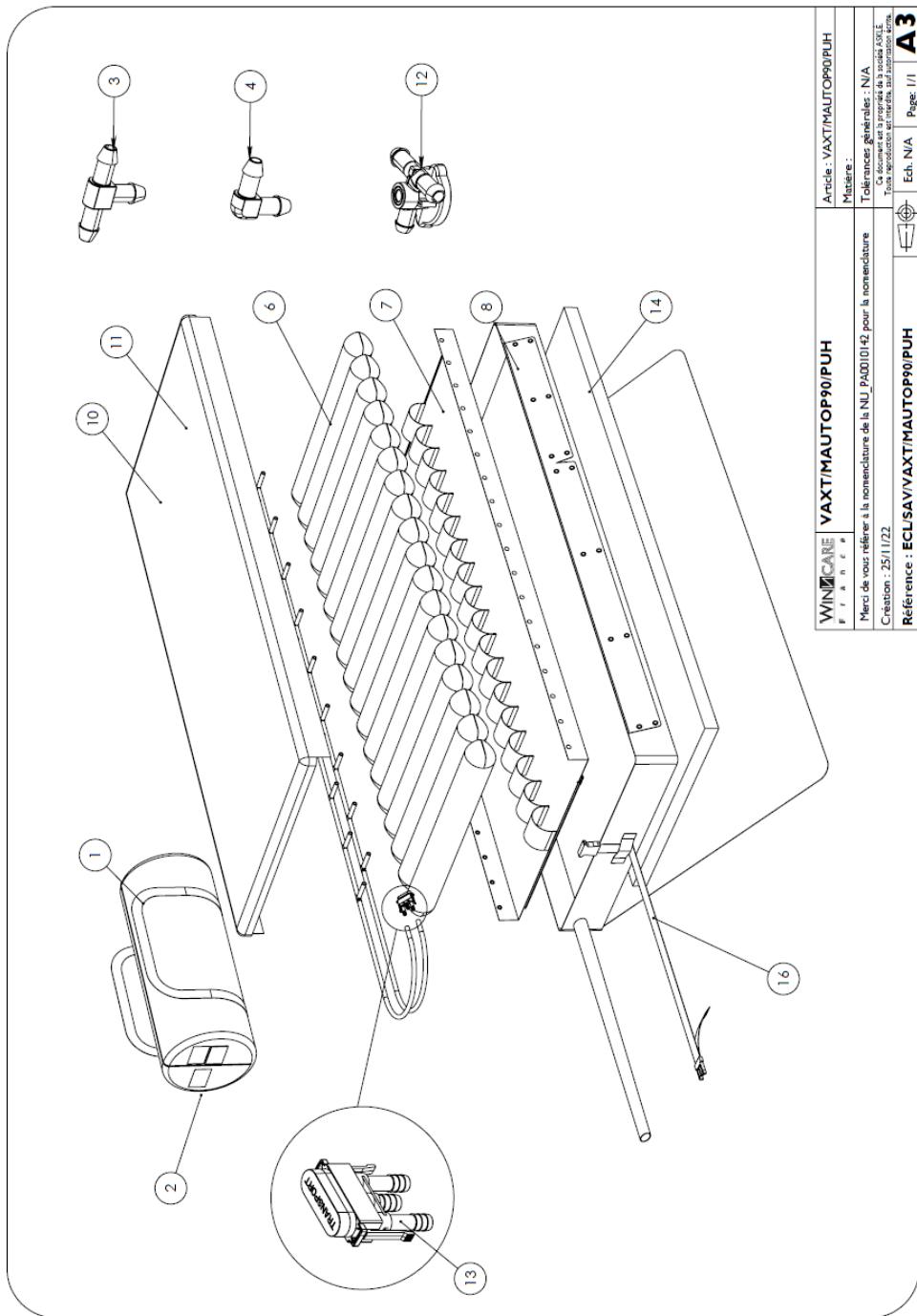


WINNOCARE	VAXT/MA/AUTOP120	Article : VAXT/MA/AUTOP120
F r a n c e		Pièce :
Merci de vous référer à la nomenclature de la N.LJ_PA0010142 pour la nomenclature		
Création : 05/11/19		
Tolérances générales : N/A		
Ce document est la propriété de la société WINNOCARE. Toute réimpression ou utilisation non autorisée sans la permission écrite de la société est formellement interdite.		
Référence : ECL/SAV/VAXT/MA/AUTOP120		Ech. N/A Page: 1/1
		A3

List of references: VAXT/MA/AUTOP120

Rep.	Références	Désignation
1	VAXT/SB-XL	Transport Bag Axtair XL
2	WS/02/0052	2 position rotary CPR valve
3	PB2050593	Dirty/clean label
4	PB2050536	T connector
5	PB2050537	L connector
6	PB2040069	Grey pipe
7	PB2050285	Non-return valve + silencer
8	PB2040126	PU cell 1 end cap L117 H12
9	PB2050066	MA AUTO PVC base Auto 120
10	VHCIC/AXT1120-H	Top cover Axtair 120 CIC
11	VHPH/AXT1120-H	Top cover Axtair 120 PUHD
12	PB2050531	Heel discharge valve
13	PB2050213	Complete male pneumatic connector complete
14	VAXT/MS/XL	Single mattress AXTAIR AUTO 120
15	PB0050026	O-ring for male connector
16	PB2050093	Built-in buckle 38 mm
17	VHAG/AXT/XL-B	Axtair Antislip bottom cover AUTO 120

*the use of these references requires the AirCare training



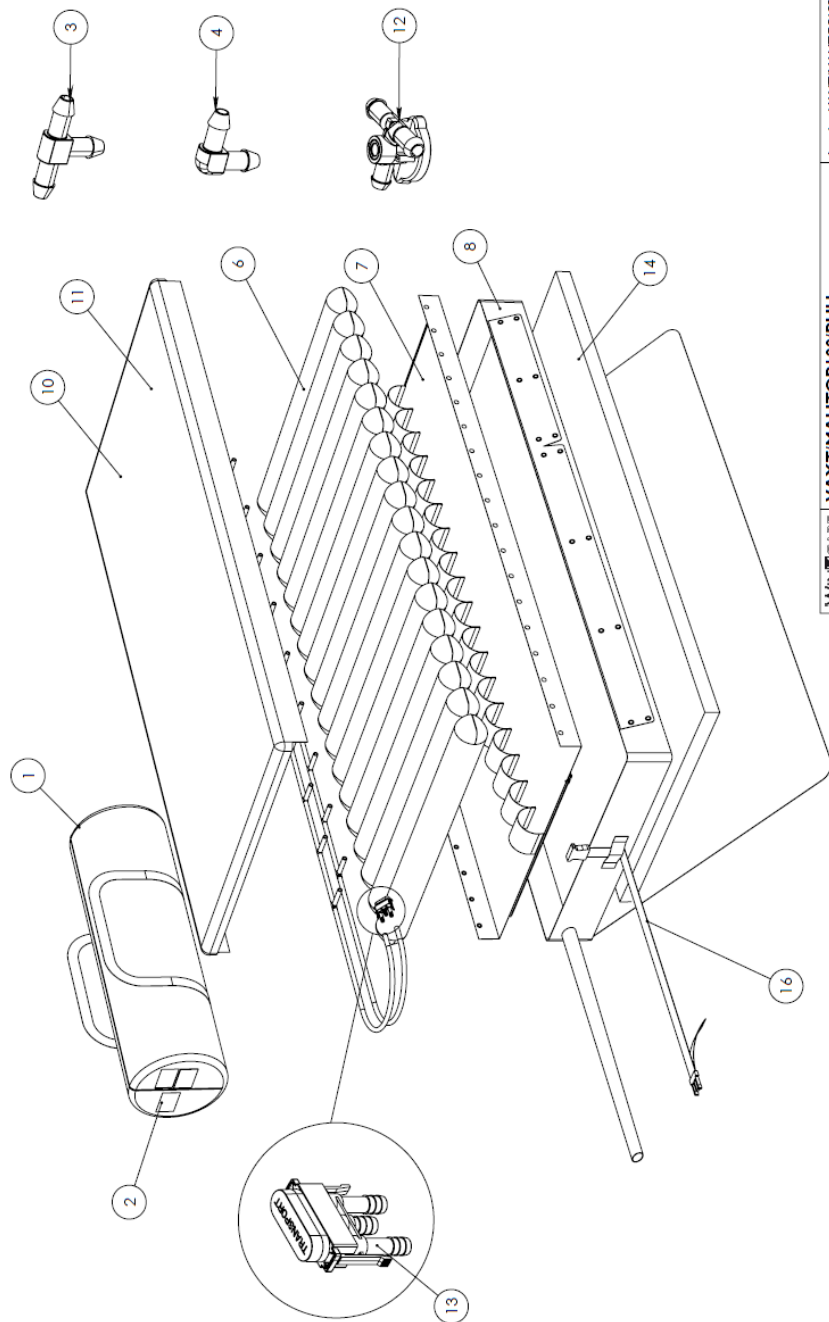
WINNCARE F. I. S. S. I. S.	VAXT/MAUTOP90/PUH	Article : VAXT/MAUTOP90/PUH
Merci de vous référer à la nomenclature de la NUJ_P40010142 pour la nomenclature		Mètre :
Création : 25/11/22		Tolérances générales : N/A
Référence : ECLUSAVVAXT/MAUTOP90/PUH		Tolérances particulières : voir fiche
		Ech. N/A
		Page. 1/1

A3

List of references: VAXT/MAUTOP90/PUH ou /CIC

Rep.	References	Designation
1	VAXT/SB	Transport bag
2	PB2050593	Dirty/clean label
3	PB2050536	T Connector
4	PB2050537	L Connector
5	PB2040069	Grey pipe
6	PB2040116	Automorpho & One 2 PU cell - 87 cm
7	PB2040124	Axtair holding sheet - 87 cm : AT12/V4/ONE2/ONE PLUS
8	PB2050534	MA AUTO PVC base - 87 cm
9	PB2050535	MA AUTO PVC base - 87 cm+ Holding sheet
10	VHCIC/AXT90-H	Top cover Axtair CIC
11	VPH/AXT90-H	Top cover Axtair PUHD
12	PB2050531	Heel discharge valve
13	PB2050539	Complete male pneumatic connector complete
14	VAXT/MS	Single mattress AXAIR
15	PB0050026	O-ring for male connector
16	VAXT/SANG	Axtair Strap Base

*the use of these references requires the AirCare training



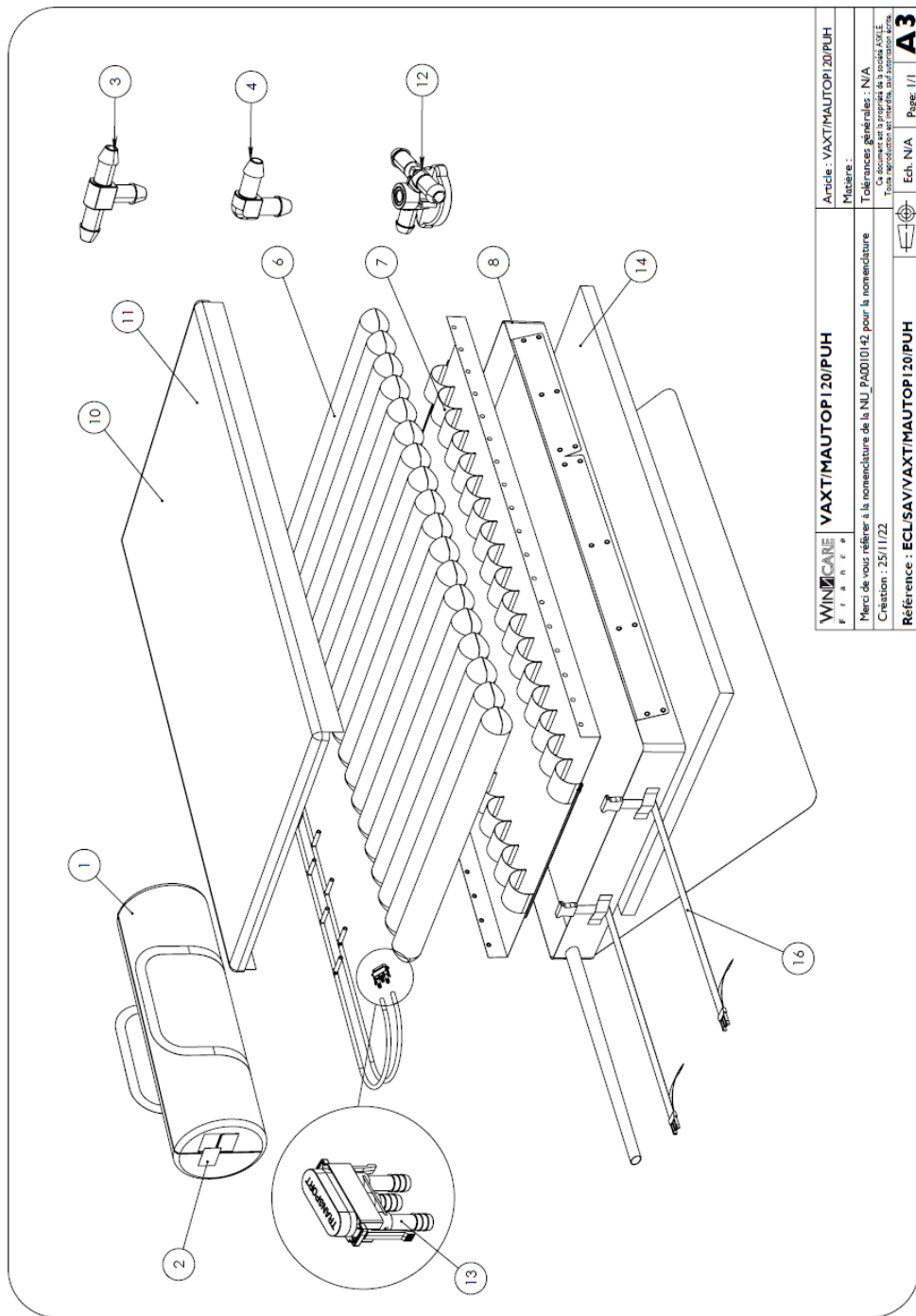
WINNCARE F I R M E	VAXT/MAUTOP100/PUH	Article : VAXT/MAUTOP100/PUH
Merci de vous référer à la nomenclature de la NUJ_P40010142 pour la nomenclature		Matière :
Création : 25/11/2022		Téléfonces générales : N/A
Référence : ECL-SAV/VAXT/MAUTOP100/PUH		Ce document est propriété de la société WINNCARE Tous droits réservés et réservés, sauf autorisation écrite.
		Ech. N/A Page. 1/1



List of references: VAXT/MAUTOP100/PUH or /CIC

Rep.	References	Designation
1	VAXT/SB-XL	Transport Bag Axtair XL
3	PB2050593	Dirty/clean label
5	PB2050536	T connector
6	PB2050537	L connector
7	PB2040069	Grey pipe
9	PB2040131	PU cell 1 end cap L97 H12
10	PB2050287	Axtair holding sheet Auto 100
11	PB2050557	MA AUTO PVC base Auto 100
11	PB2050558	MA AUTO PVC base Auto 100 + Holding sheet
13	VHCIC/AXT100-H	Top cover Axtair 100 CIC
14	VHPH/AXT100-H	Top cover Axtair 100 PUHD
15	PB2050531	Heel discharge valve
16	PB2050539	Complete male pneumatic connector complete
14	VAXT/MS/100	Single mattress AXTAIR Auto Plus 100
18	PB0050026	O-ring for male connector
16	VAXT/SANG	Axtair Strap Base

*the use of these references requires the AirCare training

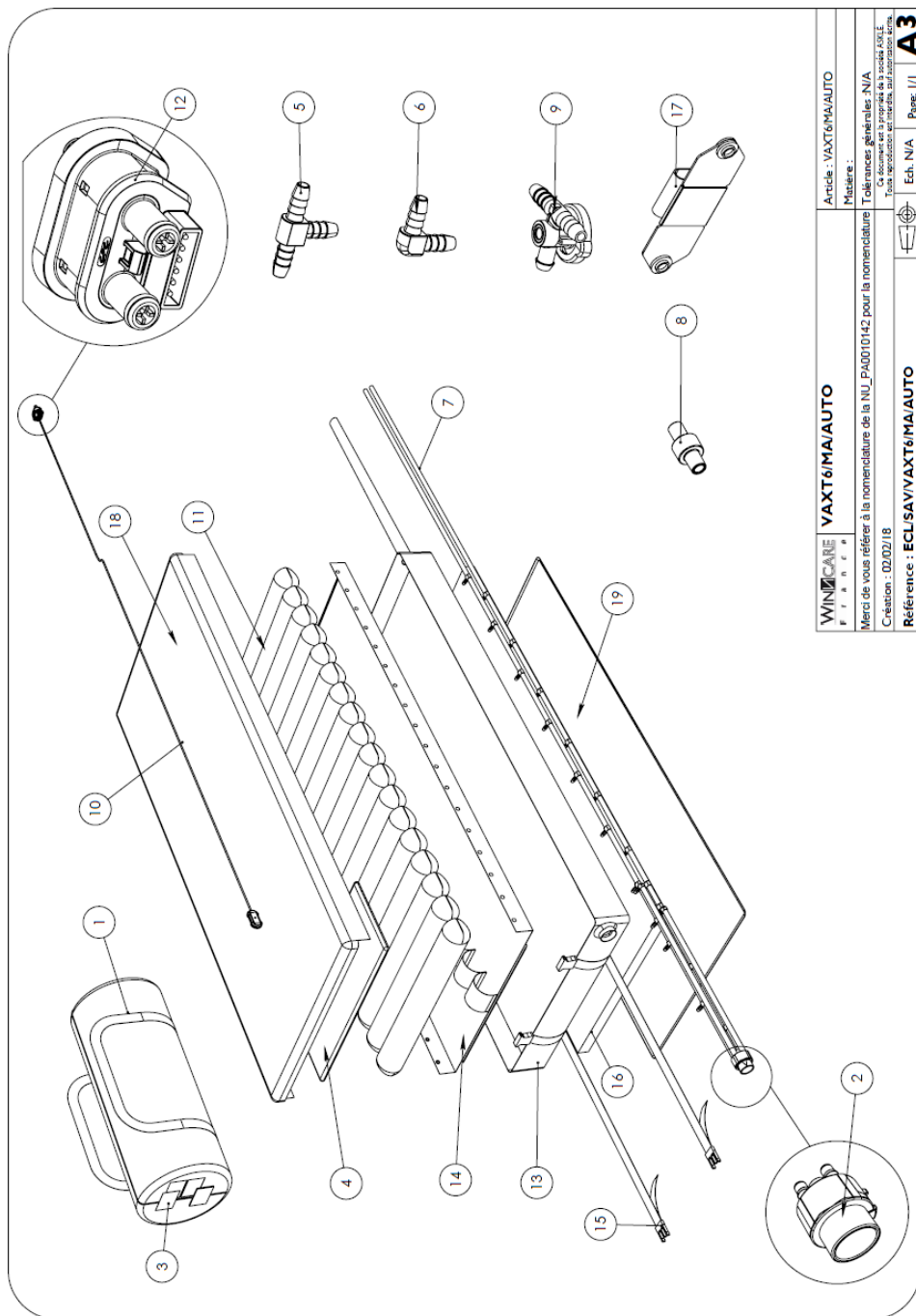


WINNOCARE F r a n c e	VAXT/MAUTOP120/PUH	Article : VAXT/MAUTOP120/PUH
Merci de vous référer à la nomenclature de la NUJ P40010142 pour la nomenclature		Matériau : N/A
Création : 25/11/22		Tolérances générales : N/A
Référence : ECL/SAV/VAXT/MAUTOP120/PUH		Tous droits réservés. Toute réimpression sans autorisation écrite est formellement interdite.
		Ech. N/A Page 1/1

List of references: VAXT/MAUTOP120/PUH or /CIC

Rep.	Références	Désignation
1	VAXT/SB-XL	Transport Bag Axtair XL
3	PB2050593	Dirty/clean label
4	PB2050536	T connector
5	PB2050537	L connector
6	PB2040069	Grey pipe
8	PB2040126	PU cell 1 end cap L117 H12
7	PB2050554	Axtair holding sheet Auto 120
8	PB2050555	MA AUTO PVC base Auto 120
9	PB2050556	MA AUTO PVC base Auto 120 + Holding sheet
10	VHCIC/AXT120-H	Top cover Axtair 120 CIC
11	VHPH/AXT120-H	Top cover Axtair 120 PUHD
12	PB2050531	Heel discharge valve
13	PB2050539	Complete male pneumatic connector complete
14	VAXT/MS/XL	Single mattress AXTAIR AUTO 120
15	PB0050026	O-ring for male connector
16	VAXT/SANG	Axtair Strap Base

*the use of these references requires the AirCare training

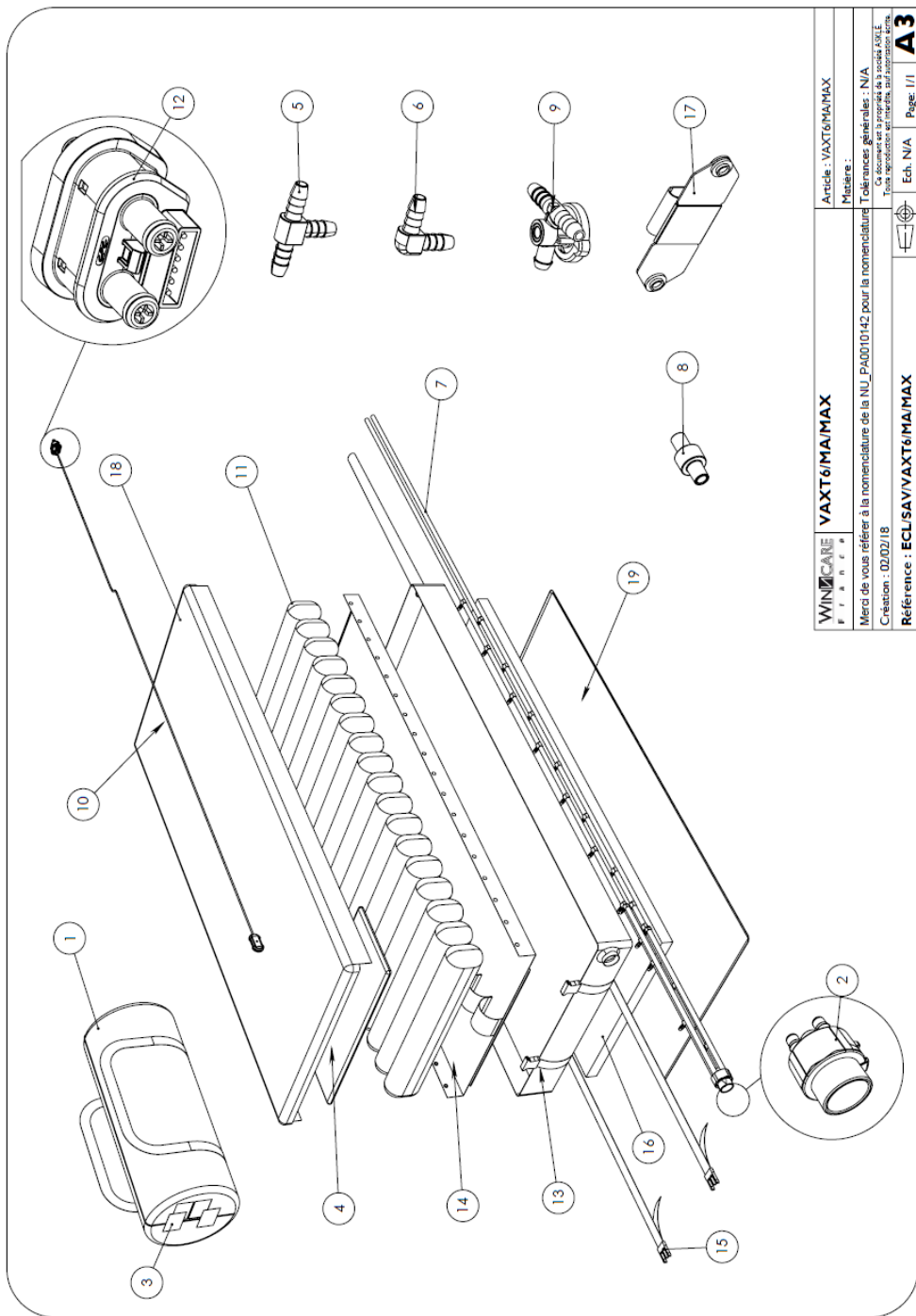


WINCARE F R A N C E	VAXT6/MA/AUTO	Article : VAXT6/MA/AUTO
Merci de vous référer à la nomenclature de la NU_PA0010142 pour la nomenclature		Matière :
Tous renseignements et pièces détachées sont disponibles sur le site www.wincare.fr		Tous renseignements et pièces détachées sont disponibles sur le site www.wincare.fr
Création : 02/02/18		Ech. N/A Page 1/1
Référence : ECLSAV/VAXT6/MA/AUTO		A3

List of references: VAXT6/MA/AUTO

Rep.	Reference	Designation
1	VAXT/SB	Transport bag
2	WS/02/0052	2 position rotary CPR valve
3	PB2050593	Dirty/clean label
4	PB2050497	Foam head cushion
5	PB2050536	T connector
6	PB2050537	L connector
7	PB2040069	Grey pipe
8	PB2050285	Non-return valve + silencer
9	PB2050531	Heel discharge valve
10	WS/02/0054	Male connector + Axensor sensor
11	PB2040116	Automorpha & One 2 PU cell - 87 cm
12	PB2050162*	Hybrid male coupler
13	PB2050167	Axensor AT12 Base
14	PB2050124	Axtair holding sheet - 87 cm AT12/V4/ONE2
15	PB2050093	Built-in buckle 38 mm
16	VAXT/MS	Single mattress AUTO
17	PB2050333	Axensor box support
18	VHCIC/AXT90-H	Top cover Axtair CIC
19	VHAXT/BAS	Axtair Antislip bottom cover

*the use of these references requires the AirCare training



WINCARE F R A N C E	VAXT6/MA/MAX	Article : VAXT6/MA/MAX
Merci de vous référer à la nomenclature de la NUL_PA0010142 pour la nomenclature		Matière :
Création : 02/02/18		Tolérances générales : N/A
Référence : ECL/SAV/VAXT6/MA/MAX		Tous droits réservés. Toute réimpression, utilisation, reproduction ou diffusion sans autorisation écrite est formellement interdite.
		Ech. N/A Page. 1/1

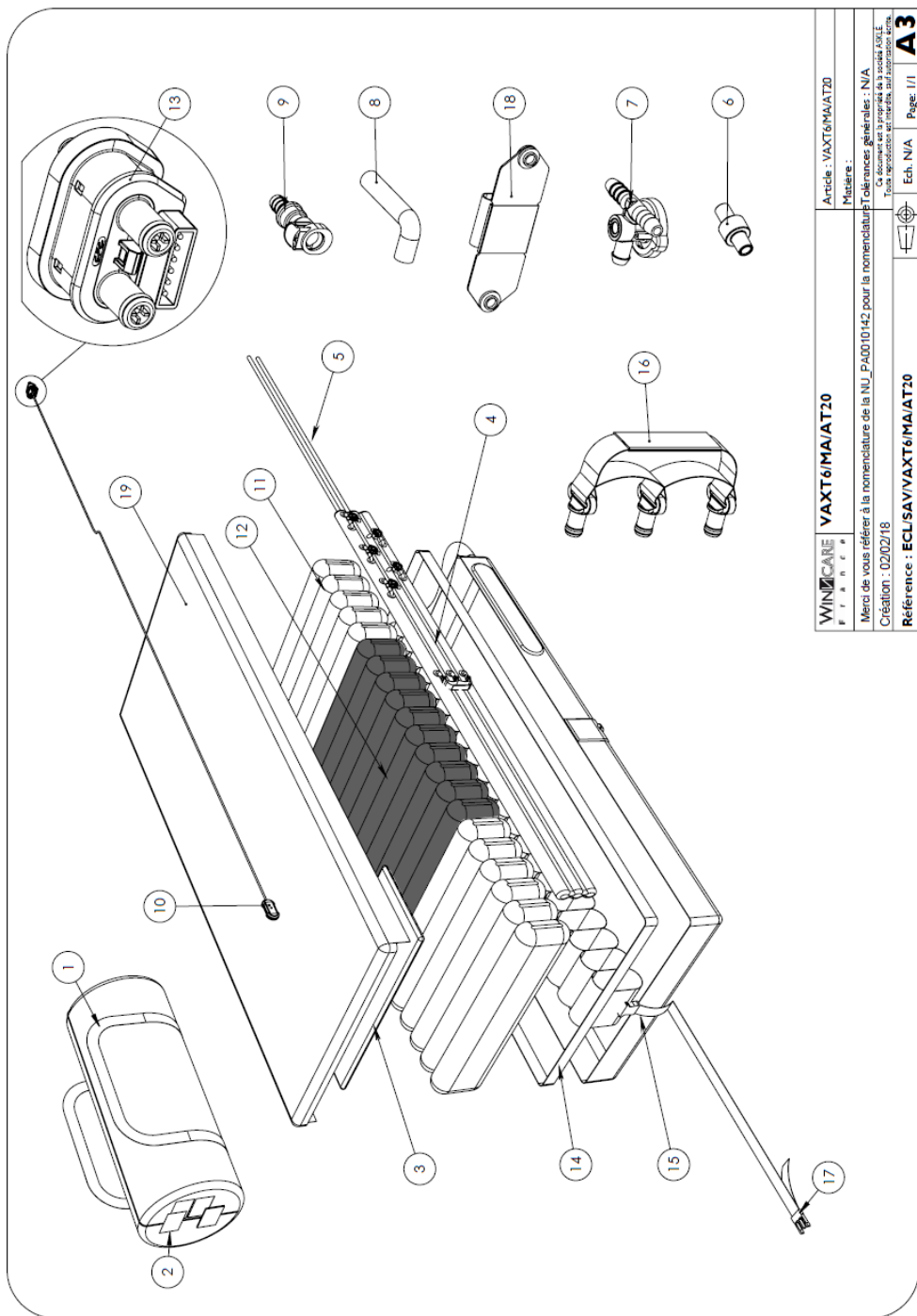
List of references: VAXT6/MA/MAX

Rep.	Reference	Designation
1	VAXT/SB	Transport Bag
2	WS/02/0052	2 position rotary CPR valve
3	PB2050593	Dirty/clean label
4	PB2050497	Foam head cushion
5	PB2050536	T connector
6	PB2050537	L connector
7	PB2040069	Grey pipe
8	PB2050285	Non-return valve + silencer
9	PB2050531	Heel discharge valve
10	WS/02/0054	Male connector + Axensor sensor
11	PB2040128	Axensor cell AT15
12	PB2050162*	Hybrid male coupler
13	PB2050194	Axensor base AT15
14	PB2050193	Axtair holding sheet Axensor AT15
15	PB2050093	Built-in buckle 38 mm
16	VAXT/MS	Single mattress AXTAIR
17	PB2050333	Axensor box support
18	VHCIC/AXT90-H	Top cover Axtair C1C
19	VHAXT/BAS	Axtair Antislip bottom cover

*the use of these references requires the AirCare training

Rep.	Reference	Designation
1	VAXT/SB	Transport bag
2	PA0020105	Dirty/clean label
3	PB2050497	Foam head cushion
4	PB2050418	Pneumatic harness
5	PB2040069	Grey pipe
6	PB2050285	Non-return valve + silencer
7	PB2050531	Heel discharge valve
8	PB2050330	Elbow pipe
9	PB2050084	Self-sealing female connector
10	PB2050182	Hybrid male coupler + Axensor sensor
11	PB2050434	Axensor cell ype 1
12	PB2050435	Axensor cell ype 2
13	PB2050162*	Hybrid male coupler
14	PB2050326	Holding sheet
15	PB2050332	AT20 base
16	PB2050352	CPR handle
17	PB2050093	Built-in buckle 38 mm
18	PB2050333	Axensor box support
19	VHCIC/AXT90-H	CIC top cover

*the use of these references requires the AirCare training



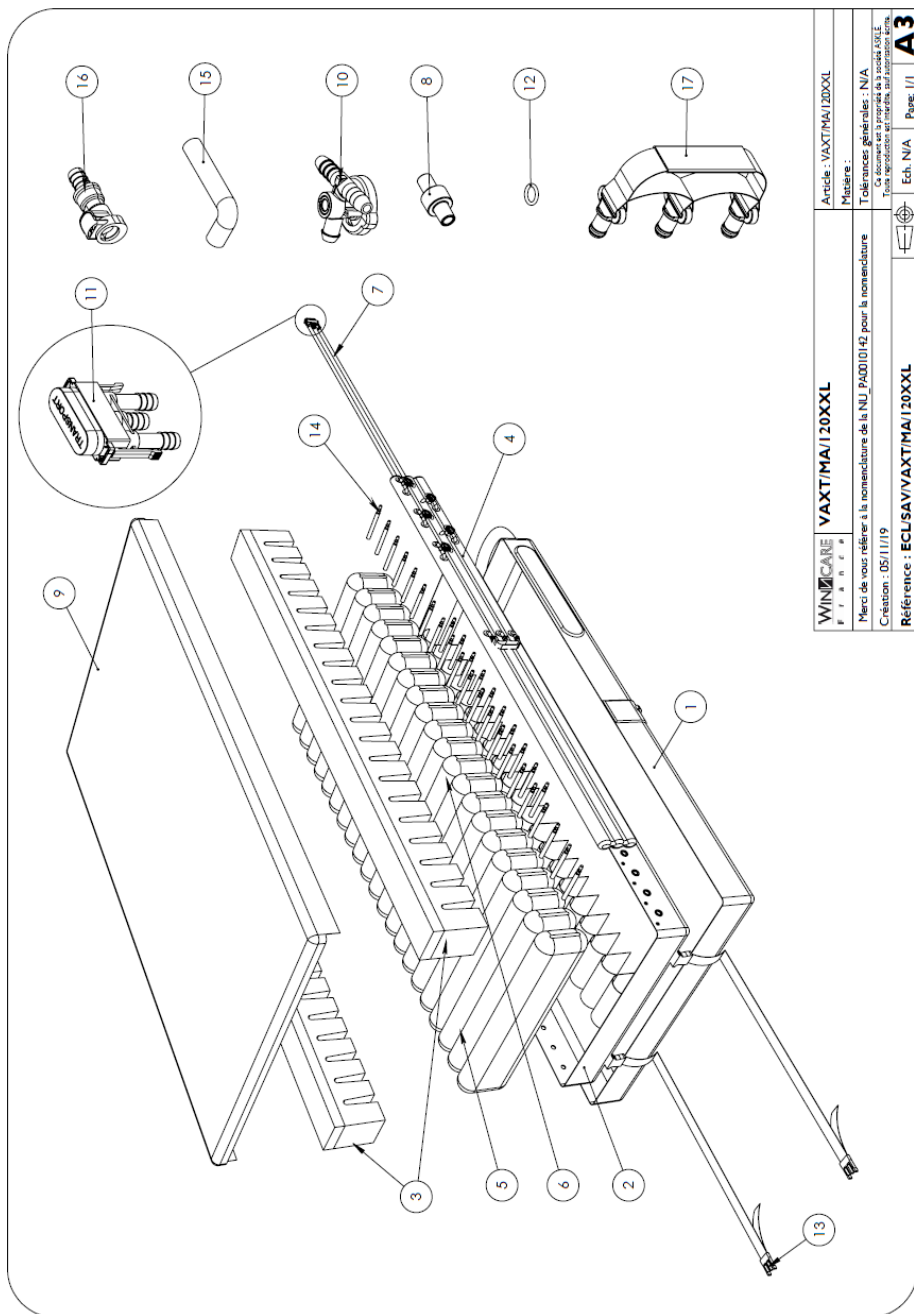
WINNCARE	VAXT6/MA/AT20	Article : VAXT6/MA/AT20
F I R M E		Matériau :
Merci de vous référer à la nomenclature de la NU_PA0010142 pour la nomenclature et tolérances générales : N/A		
Création : 02/02/18		
Tous droits réservés. Toute réimpression est interdite, sans autorisation écrite.		
Référence : ECLISAV/VAXT6/MA/AT20		Ech. N/A Page: 1/1
		A3

List of references: VAXT6/MA/AT20-80

Rep.	Référence	Désignation
1	VAXT/SB	Transport bag
2	PA0020105	Dirty/clean label
3	PB2050497	Foam head cushion
4	PB2050418	Pneumatic harness
5	PB2050231	Tuyau Cristal 8,3x14,3 L1200mm
6	PB2050285	Non-return valve + silencer
7	PB2050531	Heel discharge valve
8	PB2050330	Elbow pipe
9	PB2050084	Self-sealing female connector
10	PB2050182	Hybrid male coupler + Axensor sensor
11	PB2050368	Axensor cell type 1
12	PB2050369	Axensor cell type 2
13	PB2050162*	Hybrid male coupler
14	PB2050396	Holding sheet AT20-80
15	PB2050397	AT20-80 base
16	PB2050352	CPR handle
17	PB2050093	Built-in buckle 38 mm
18	PB2050333	Axensor box support
19	VHCIC/AXT80/HAUT	CIC top cover

*the use of these references requires the AirCare training

AXTAIR XXL MATTRESS - REFERENCE VAXT/MA/120XXL

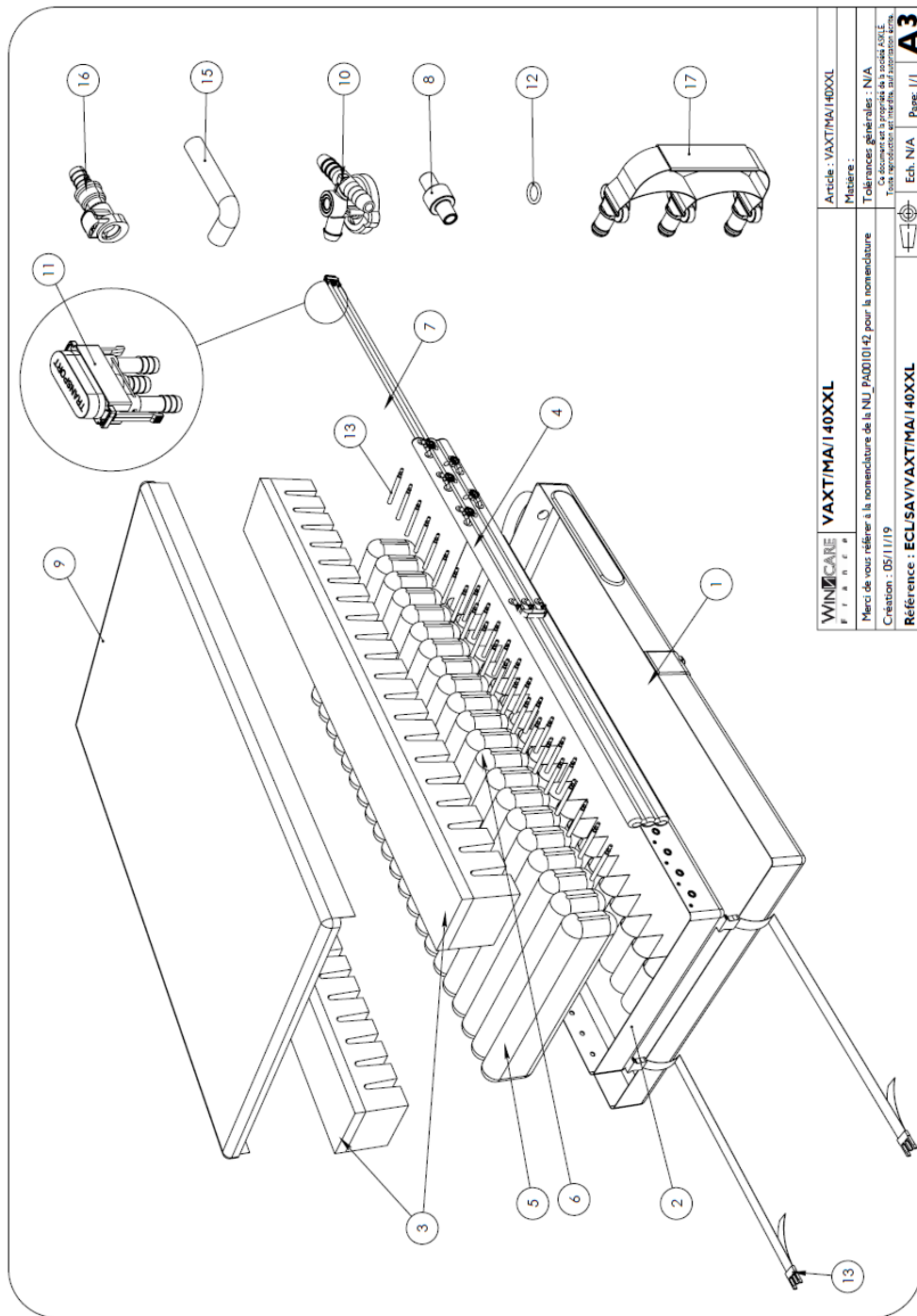


WINNCARE F I N E R E	VAXT/MA/120XXL	Article : VAXT/MA/120XXL
	Merci de vous référer à la nomenclature de la NU_PAD01042 pour la nomenclature	Matière :
	Création : 05/11/19	Tolérances générales: N/A Ce document est la propriété de la société WINNCARE. Toute réimpression est interdite, sauf autorisation écrite.
	Reference : ECL/SAV/VAXT/MA/120XXL	Ech. N/A Page: 1/1 A3

List of references: VAXT/MA/120XXL

Rep.	Références	Désignation
1	PB2050360	XXL120 base cover
2	PB2050361	inside cover XXL
3	PA9030085	Foam Stabilizing Edge 120 XXL
4	PB2050418	Pneumatic harness
5	Selon numéro de serie**	Axensor cell type 1
6	Selon numéro de serie**	Axensor cell type 2
7	PB2040069	Grey pipe
8	PB2050285	Non-return valve + silencer
9	VHPH/AXT120-H	Top cover Axtair 120 PUHD
10	PB2050531	Heel discharge valve
11	PB2050213	Complete male pneumatic connector
12	PB0050026	O-ring for male connector
13	PB2050093	Built-in buckle 38 mm
14	PB2050386	Extension XXL 120 tube-connector
15	PB2050330	Elbow pipe
16	PB2050084	Auto Female Connector.
17	PB2050352	CPR handle kit

** Please contact our service department with your mattress serial number

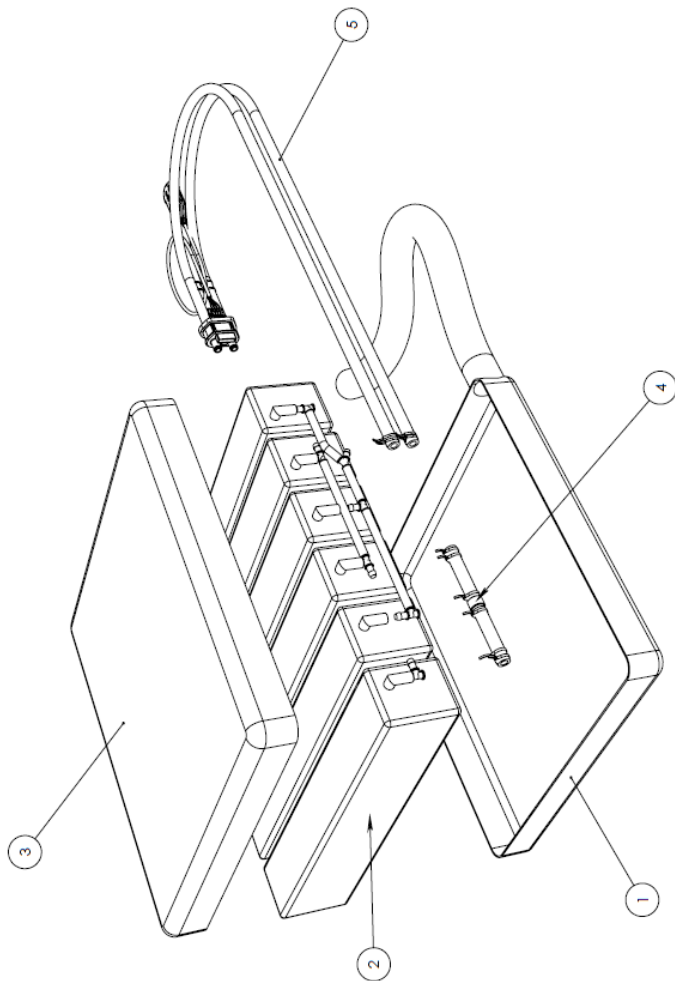


WINNOCARE F. I. M. O. S.	VAXT/MA/140XXL	Article : VAXT/MA/140XXL
Merci de vous référer à la nomenclature de la NUJ_P40010142 pour la nomenclature		Tolérances générales : N/A
Création : 05/11/19		Edt. N/A
Référence : ECLUSA/VAXT/MA/140XXL		Page: 1/1

List of references: VAXT/MA/140XXL

Rep.	Références	Désignation
1	PB2050365	XXL140 base cover
2	PB2050361	inside cover XXL
3	PA9030086	Foam Stabilizing Edge 140 XXL
4	PB2050418	Pneumatic harness
5	Selon numéro de serie**	Axensor cell type 1
6	Selon numéro de serie**	Axensor cell type 2
7	PB2040069	Grey pipe
8	PB2050285	Non-return valve + silencer
9	VHPH/AXT140-H	Top cover Axtair 120 PUHD
10	PB2050531	Heel discharge valve
11	PB2050213	Complete male pneumatic connector
12	PB0050026	O-ring for male connector
13	PB2050093	Built-in buckle 38 mm
14	PB2050387	Extension XXL 140 tube-connector
15	PB2050330	Elbow pipe
16	PB2050084	Auto Female Connector.
17	PB2050352	CPR handle kit

** Please contact our service department with your mattress serial number



WINNCARE France	VAXT6/CO/AUTO	Article : VAXT6/CO/AUTO
AXTAIR APC CUSHION		Matériau :
		Tolérances générales : N/A
		Tous droits réservés. Toute réimpression ou utilisation non autorisée sans la permission écrite de la société WINNCARE France est formellement interdite.
Référence : ECLSA/VAXT6/CO/AUTO		Ech. N/A Page 1/1



List of references: : VAXT6/CO/AUTO

Rep.	Reference	Designation
1	PB2050228	Dynamic Cushion base
2	PB2050223	Pneumatic set cushion
3	VHCIC/CO/HAUT	CIC Cushion Top Cover
4	PB2050229	Kit Network with valve
5	PB2050231	Tube 8.3x14.3 L1200



WINNCARE France
4, Le Pas du Château
85670 SAINT-PAUL-MONT-PENIT
FRANCE



WINNCARE France
200 Rue Charles Tellier
30000 NIMES
FRANCE



Tél. : +33 (0)4.66.02.15.15
Fax. : +33 (0)4.66.02.15.00
Email: contact@winncafe.fr
www.winncafe.com